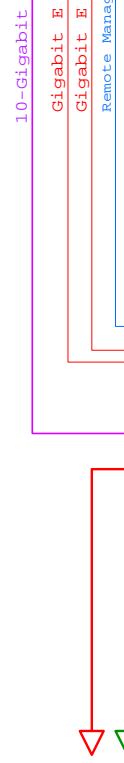


DELL R610
Xeon 5600

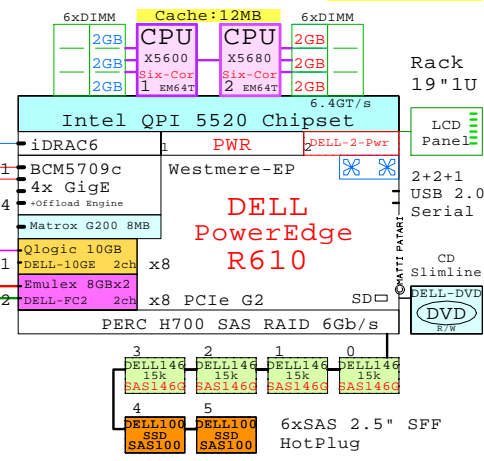
Internal Options:

- DELL-X5680
CPU X5680 Six-Cor EM64T
2nd Six-Core X5680
3330MHz 12MB
- DELL-2GB-1
2GB DDR3-SDRAM 1x 2GB DIMM
- DELL-4GB-1
4GB DDR3-SDRAM 1x 4GB DIMM
- DELL-8GB-1
8GB DDR3-SDRAM 1x 8GB DIMM
- DELL-16GB-1
16GB DDR3-SDRAM 1x 16GB DIMM
- DELL-2-Pwr
2nd Power
- DELL-73GB
73GB 15k SAS 2.5"
- DELL-146GB
146GB 15k SAS 2.5"
- DELL-300GB
300GB 10k SAS 2.5"
- DELL-600GB
600GB 10k SAS 2.5"
- DELL-100GB
100 SSD SAS 2.5"
- DELL-DVD
DVD R/W
- DELL-DAT
DELL DAT
- DELL-1GbE
Dell GigabitE 2ch
- DELL-10GE
Qlogic 10Gb CNA 2ch
- DELL-FC2
Emulex FC 8Gb 2ch



Example Configuration
x86-64

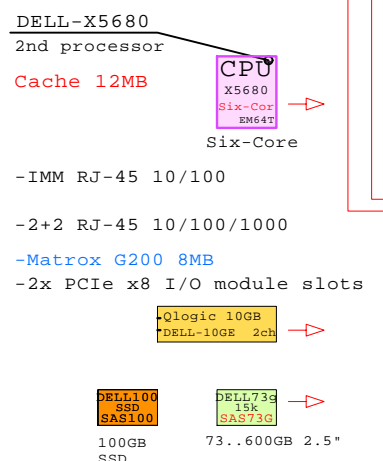
Intel Xeon X5680 x86-64
3330MHz 2P-Six-C **DELL-R610-Bxx**



2x 8Gb Fibre Channel to external storage

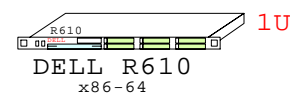
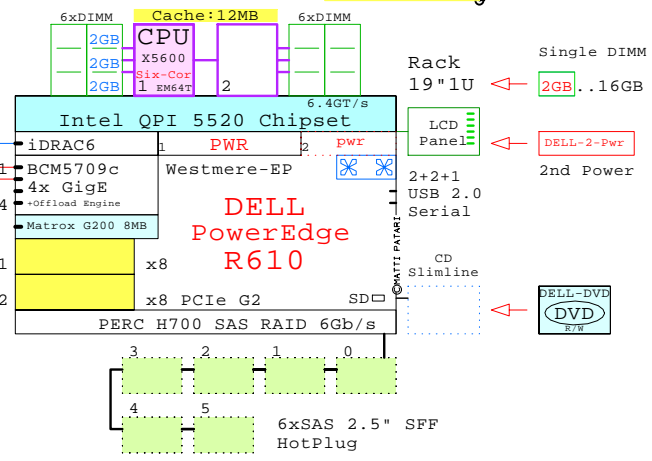
Parts list for the 2P Six-Core DELL R610 system above

Part Number	Qty	Description
1	1	DELL R610 2P I 6C X5680-12MB 6GB 1U
1.1	2	Dell 100GB SATA SSD hot-plug disk 2.5"
1.2	1	DELL Qlogic 10Gb CNA 2-ch adapter
1.3	4	DELL 146GB SAS 15000r hot-plug disk 2.5"
1.4	1	DELL-2-Pwr 1 DELL 2950 second power supply
1.5	3	DELL-2GB-1 3 DELL 2GB PE Memory 1x2GB DIMM
1.6	1	DELL-DVD 1 DELL CD-RW/DVD-ROM Option kit, slimline
1.7	1	DELL-FC2 1 DELL Emulex FC 8Gb 2-ch PCIe HBA
1.8	1	DELL-X5680 1 Xeon 6C X5680-12MB 3.33GHz for R710



Westmere-EP Six-Core <u>3330MHz</u> 5600	Nehalem-EP Quad-Core <u>2930MHz</u> 5500
---	---

Intel Xeon X5680 x86-64
3330MHz 2P-Six-C **DELL-R610-Bxx** System #



MS Windows Server 2003 and 2008 R2
LINUX: Red Hat, SuSE
VMware Virtualization Software
Hyper-V

Tip for detail printing:
- Zoom in area of interest
- Print, Print Current View

Golden Eggs Home:
<http://www.goldeneggs.fi>

© 2009 Matti Patari, All rights reserved.

GOLDEN EGGS Visuals™ Helsinki	13-Jun-2010	GE-DELL-R610-A Matti.Patari@ Goldeneggs.Fi
-------------------------------	-------------	---

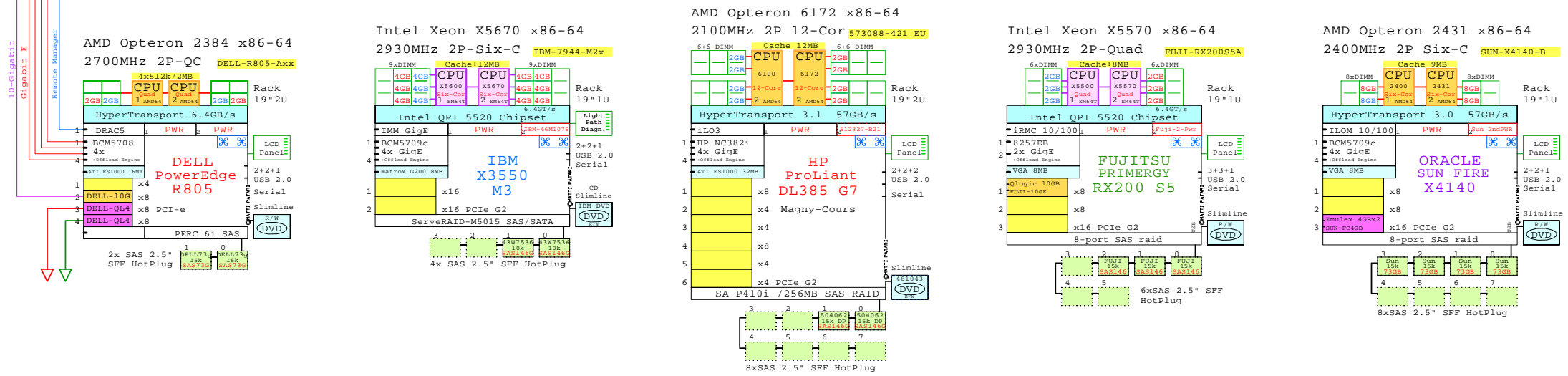
DELL PE R610 Intel Six-Core 5600 2P/1U

DELL PE R610 2P/1U X5680 3330MHz
GOLDEN EGGS Visuals, Helsinki

Welcome to Golden Eggs Visual Configurations

<http://www.goldeneggs.fi>

This picture is a comparison chart for: DELL, IBM, HP, FUJITSU and SUN 2-socket, 2-U x86 servers.
A picture is worth of one thousand words. It talks all Global languages.



Golden Eggs history:

It all started late 80's when I was a local Sales technical support at Digital Equipment Corporation Helsinki office. I did have numerous configuration diagrams in my personal paper notebook. This booklet was my daily hand tool to quickly sort out complicated HW configuration. This booklet was photo copied numerous times for our Sales personal, Partners and End-Customers. Then came splendid VAXstations and AutoCAD software available. I pushed the picture arsenal thorough the screen and the material was distributed in PostScript files in DECnet. The work was available in printable files in all DEC locations. When Internet was invented, Golden Eggs found its delivery to all Customers who needed simple, technical guide books.

Old Golden Eggs outlets are still available at:

- ➔ <http://h18000.www1.hp.com/info/GECPQA/> DEC/Compaq: VAX, Alpha, Storage and ProLiant servers
- ➔ <http://www.openvms.org/pages.php?page=GoldenEggs> OpenVMS.org: Alpha, Storage, ProLiant and Integrity servers
- ➔ This is the present x86 server Golden Eggs Hatchery.
- ➔ <http://www.goldeneggs.fi>

Why ?? Golden Eggs ??

I think that a good service must have a good name. These pictures are real Golden Pieces for system builders.

I wish you nice reading and good x86 system planning sessions.
Matti.Patari@Kolumbus.Fi Helsinki, Finland

© 2010 Matti Patari, All rights reserved.

GOLDEN EGGS Visuals Helsinki	01-Jul-2010	GE-Welcome1
	Matti.Patari@Kolumbus.Fi	

Welcome to Visual Configurations
GOLDEN EGGS Visuals, Helsinki