

GOLDEN EGGS

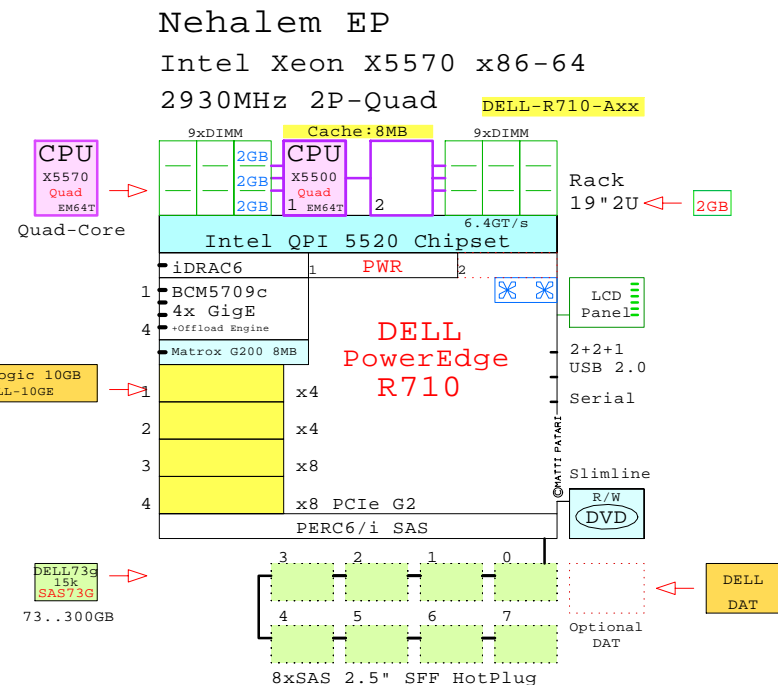
Visual Cook Book for: DELL X86-64 Servers

Rack Servers:

- 1 - DELL PowerEdge Family Map
- 2 - PE R610 Intel Xeon 2P 1U
- 3 - PE R710 Intel Xeon 2P 2U
- 4 - PE 1950 Intel Xeon 2P 1U
- 5 - PE 2950 Intel Xeon 2P 2U
- 6 - PE 2970 AMD Opteron 2P 2U
- 7 - PE R805 AMD Opteron 2P 2U
- 8 - PE R900 Intel Xeon 4P 4U
- 9 - PE R905 AMD Opteron 4P 4U

Blade Servers:

- 10 - PE M1000e Modular Enclosure
- 11 - PE M600 Intel Xeon 2P Half
- 12 - PE M605 AMD Opteron 2P Half
- 13 - PE M800 Intel Xeon 2P Full
- 14 - PE M805 AMD Opteron 2P Full
- 15 - PE M900 Intel Xeon 4P Full
- 16 - PE M905 AMD Opteron 4P Full



This document is a collection of DELL x86-64 servers. It is prepared for End-customers, Partners and Sales personnel. A picture talks all languages.

Created by:
Matti.Patari@Kolumbus.Fi Helsinki

Tip for detail printing:
- Zoom in area of interest
- Print, Print Current View

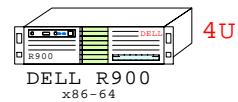
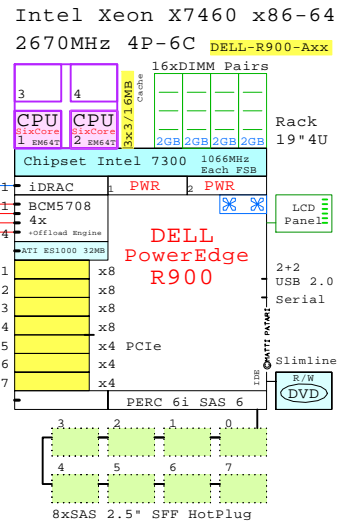
Golden Eggs Home:
<http://www.goldeneggs.fi>

GE-DELL-X86-11-Mar-2010.pdf

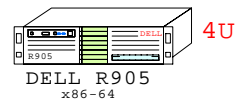
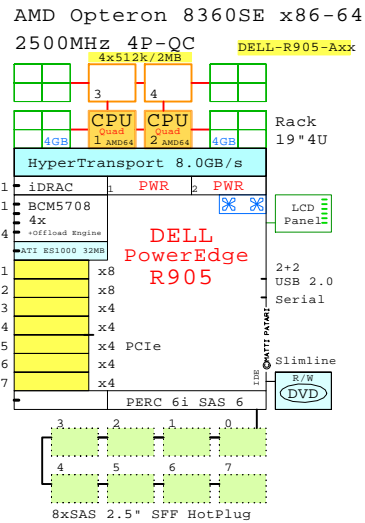
© 2010 Matti Patari, All rights reserved.

GOLDEN EGGS Visuals™ Helsinki	11-Mar-2010	GE-DELL-X86B
	Matti.Patari@Kolumbus.Fi	
DELL X86Server 2P 4P 8P Intel AMD GOLDEN EGGS Visuals, Helsinki		

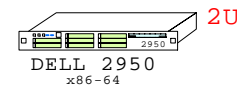
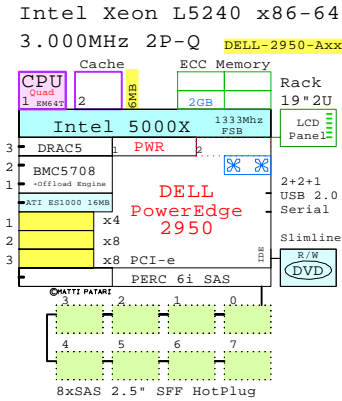
Xeon 4P 4U



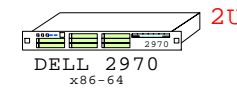
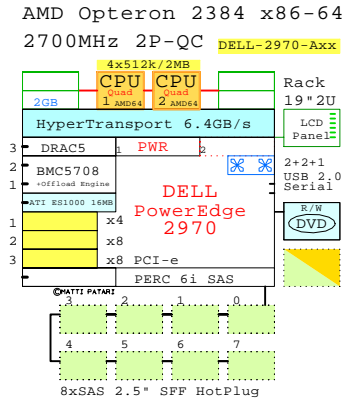
Opteron 4P 4U



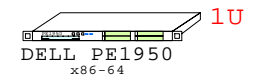
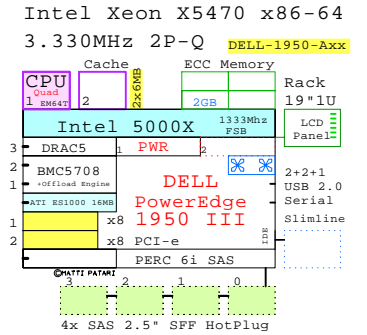
Xeon 2P 2U



Opteron 2P 2U

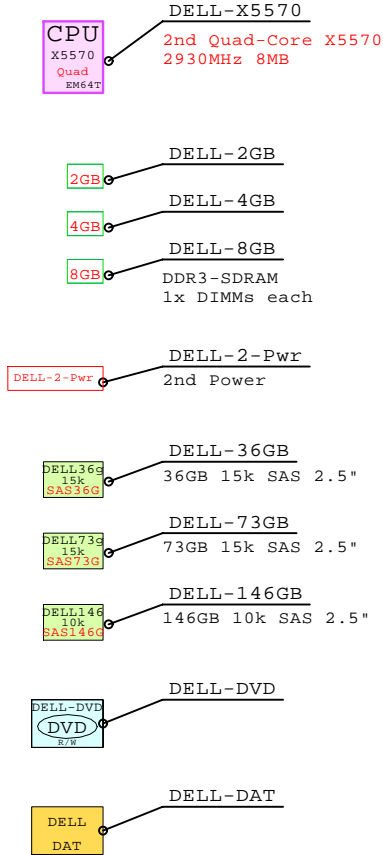


Xeon 2P 1U



DELL R610
Xeon 5500

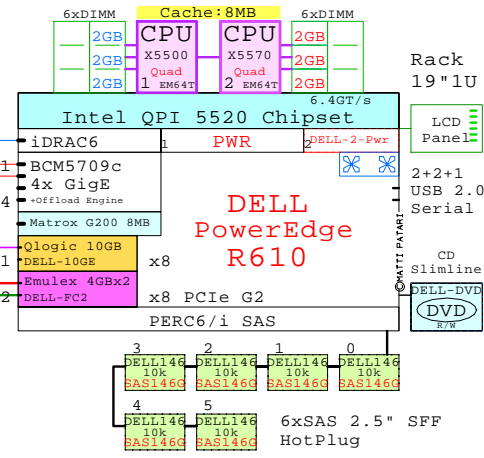
Internal Options:



10-Gigabit
Gigabit E
Gigabit E
IMM Remote Manager

Example Configuration
x86-64

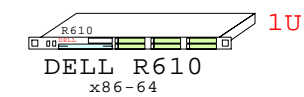
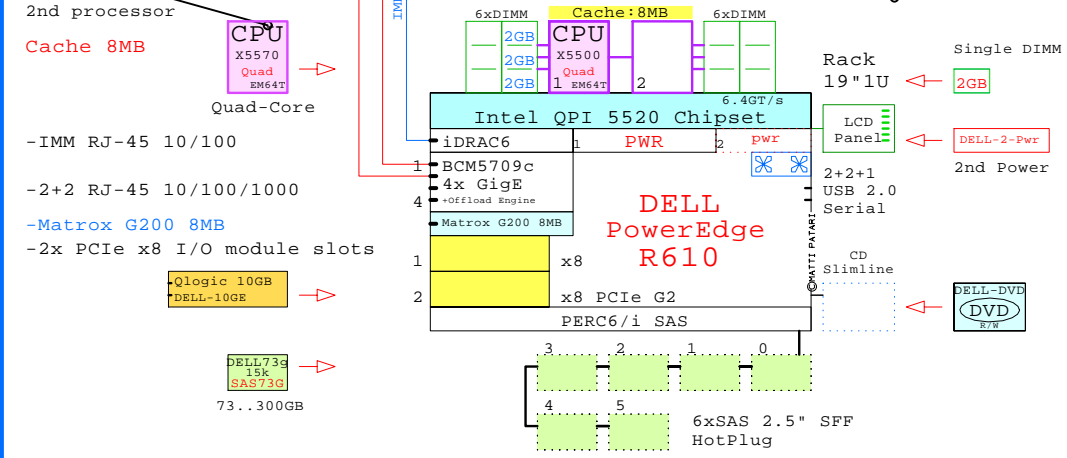
Intel Xeon X5570 x86-64
2930MHz 2P-Quad **DELL-R610-Axx**



2x 4Gb Fibre Channel to external storage

Nehalem EP
2930MHz Quad-Core

Intel Xeon X5570 x86-64
2930MHz 2P-Quad **DELL-R610-Axx**



MS Windows Server 2003 and 2008
LINUX: Red Hat, SuSE
VMware Virtualization Software

Tip for detail printing:
- Zoom in area of interest
- Print, Print Current View

Parts list for the 2P Quad-Core DELL R610 system above

Part Number	Qty	Description
1	1	DELL R610 2P I QC X5570-8MB 6GB 1U
1.1	1	DELL-10GE Qlogic 10Gb CNA server adapter
1.2	6	DELL 146GB SAS 10000r hot-plug disk 2.5"
1.3	1	DELL-2-Pwr 2950 second power supply
1.4	3	DELL-2GB 2GB PE Memory 2x1GB
1.5	1	DELL-DVD CD-RW/DVD-ROM Option kit, slimline
1.6	1	DELL-FC2 Emulex FC 4Gb 2-ch PCIe HBA
1.7	1	DELL-X5570 Xeon QC X5570-8MB 2.93GHz for x3650M2

© 2009 Matti Patari, All rights reserved.

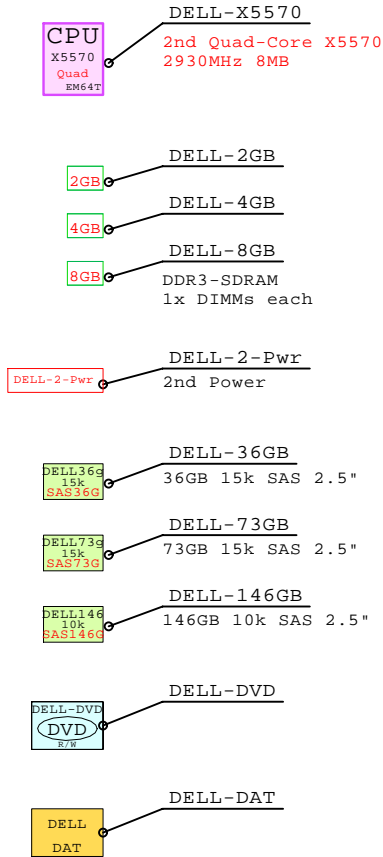
GOLDEN EGGS Visuals™ Helsinki	11-Mar-2010	GE-DELL-R610-A Matti.Patari@Kolumbus.Fi
-------------------------------	-------------	--

DELL PE R610 Intel 5500 2P/1U

DELL PE R610 2P/1U X5570 2930MHz
GOLDEN EGGS Visuals, Helsinki

DELL R710
Xeon 5500

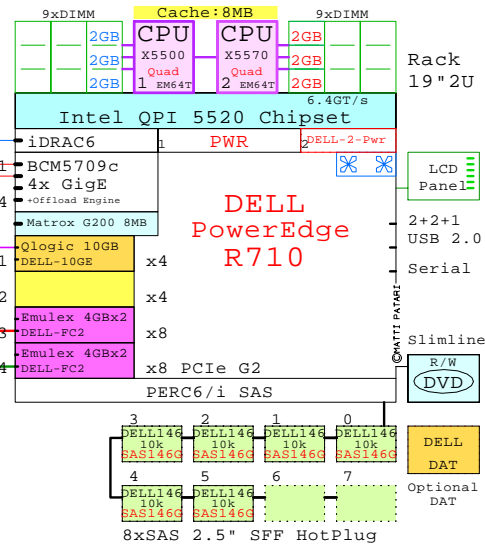
Internal Options:



10-Gigabit
Gigabit E
Gigabit E
IMM Remote Manager

Example Configuration
x86-64

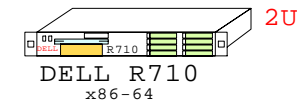
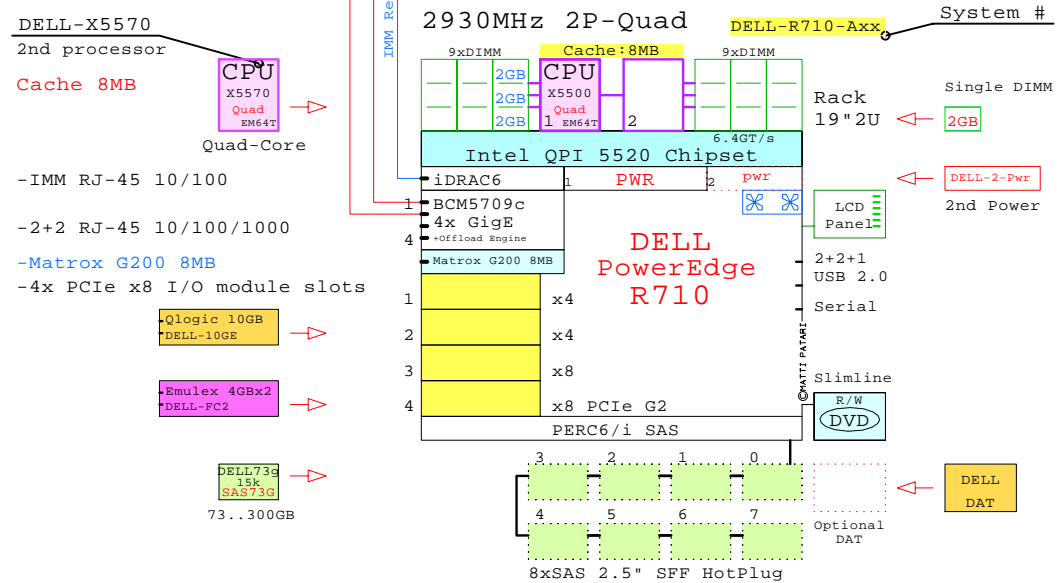
Intel Xeon X5570 x86-64
2930MHz 2P-Quad **DELL-R710-Axx**



2x 4Gb Fibre Channel to external storage

Nehalem EP
2930MHz Quad-Core

Intel Xeon X5570 x86-64
2930MHz 2P-Quad **DELL-R710-Axx**



MS Windows Server 2003 and 2008
LINUX: Red Hat, SuSE
VMware Virtualization Software

Parts list for the 2P Quad-Core DELL R710 system above

Part Number	Qty	Description
1	1	DELL R710 2P I QC X5570-8MB 6GB 2U
1.1	1	DELL Qlogic 10Gb CNA server adapter
1.2	6	DELL 146GB SAS 10000r hot-plug disk 2.5"
1.3	1	DELL 2950 second power supply
1.4	3	DELL 2GB PE Memory 2x1GB
1.5	1	DELL SATA DAT Tape Drive
1.6	2	DELL Emulex FC 4Gb 2-ch HBA
1.7	1	Xeon QC X5570-8MB 2.93GHz for x3650M2

Tip fordetail printing:
- Zoom in area of interest
- Print, Print Current View

© 2009 Matti Patari, All rights reserved.

GOLDEN EGGS Visuals™ Helsinki	11-Mar-2010	GE-DELL-R710-A Matti.Patari@Kolumbus.Fi
-------------------------------	-------------	--

DELL PE R710 Intel 5500 2P/2U

DELL PE R710 2P/2U X5570 2930MHz
GOLDEN EGGS Visuals, Helsinki

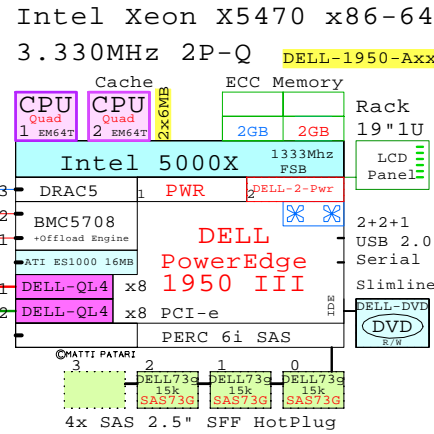
DELL 1950 Xeon

Internal Options:

- DELL-X5470**
CPU Quad EM64T
2nd Quad-Core X5470
3.330MHz 2x6MB
- DELL-1GB**
1GB
- DELL-2GB**
2GB
- DELL-4GB**
4GB
- DELL-8GB**
8GB
- DELL-16GB**
16GB
- DELL-2-Pwr**
DDR2-SDRAM pairs
2x DIMMs each
2nd Power
- DELL-36GB**
36GB 15k SAS 2.5"
- DELL-73GB**
73GB 15k SAS 2.5"
- DELL-146GB**
146GB 10k SAS 2.5"
- DELL-DVD**
DVD R/W
- DELL-Co4**
PRO/1000 PT 4-Ch
- DELL-10GbE**
10Gb PCIe HBA
- DELL-Qlog4**
Qlog FC 4Gb 1-Ch
- DELL-Qlog8**
Qlog FC 8Gb 2-Ch



Example Configuration x86-64

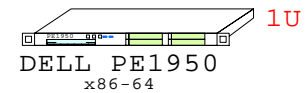
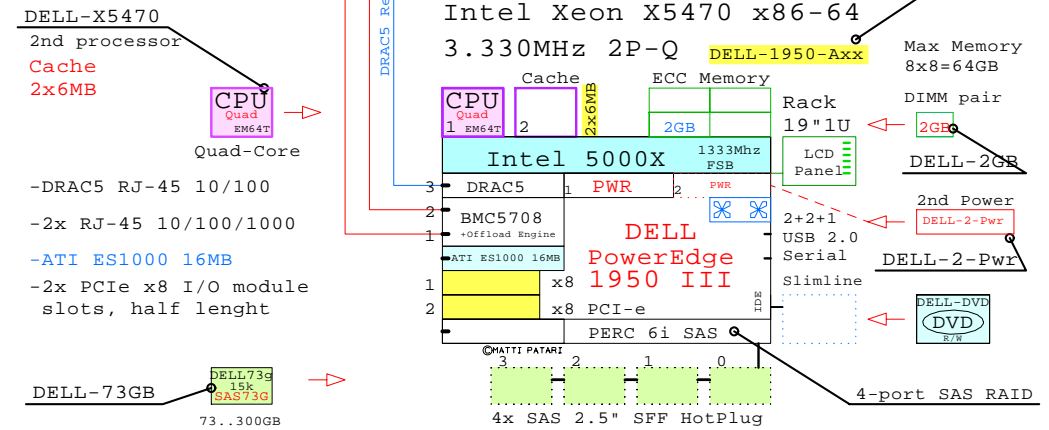


2x 4Gb Fibre Channel to external storage

Parts list for the 2P Quad-Core DELL 1950 Xeon system above

	Part Number	Qty	Description
1	DELL-1950-A	1	DELL 1950 2P I QC X5470 2x6MB 2GB 1U
1.1	DELL-2-Pwr	1	DELL 2950 second power supply
1.2	DELL-2GB	1	DELL 2GB PE Memory 2x1GB
1.3	DELL-73GB	3	DELL 73GB SAS 15000r hot-plug disk 2.5"
1.4	DELL-DVD	1	DELL CD-RW/DVD-ROM Option kit, slimline
1.5	DELL-Qlog4	2	DELL Qlog FC 4Gb 1-ch PCIe HBA
1.6	DELL-X5470	1	Xeon QC X5470-2x6MB 3.33GHz for 1950

3330MHz Quad-Core



MS Windows Server 2003 and 2008
 LINUX: Red Hat, SuSE
 VMware Virtualization Software

Tip for printing:

- Zoom in area of interest
- Print, Print Current View

© 2009 Matti Patari, All rights reserved.

GOLDEN EGGS Visuals™ Helsinki	24-Mar-2009	GE-DELL-PE1950-A
	Matti.Patari@Kolumbus.Fi	

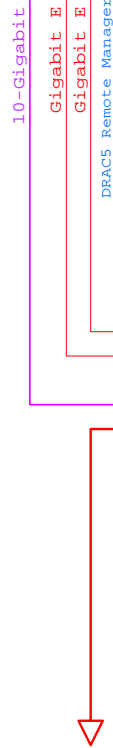
DELL PE1950 2P Xeon X5470 3330MHz
 GOLDEN EGGS Visuals, Helsinki

DELL PE1950 Intel 2P/1U

DELL 2950 Xeon

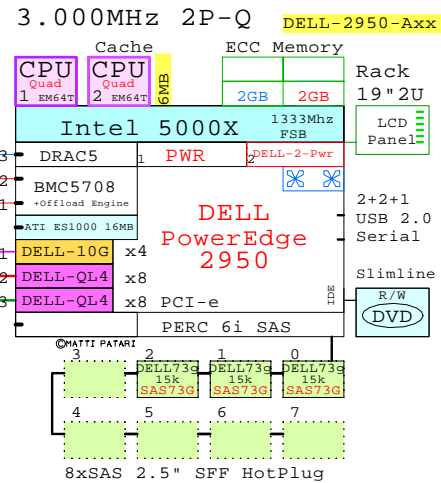
Internal Options:

- DELL-L5240**
CPU Quad EM64T
2nd Quad-Core L5240
3000MHz 6MB
- DELL-1GB**
1GB
- DELL-2GB**
2GB
- DELL-4GB**
4GB
- DELL-8GB**
8GB
- DELL-16GB**
16GB
- DELL-2-Pwr**
DDR2-SDRAM pairs
2x DIMMs each
2nd Power
- DELL-36GB**
36GB 15k SAS 2.5"
- DELL-73GB**
73GB 15k SAS 2.5"
- DELL-146GB**
146GB 10k SAS 2.5"
- DELL-Copp4**
PRO/1000 PT 4-Ch
- DELL-10GbE**
10Gb PCIe HBA
- DELL-Qlog4**
Qlog FC 4Gb 1-Ch
- DELL-QL8**
Qlog FC 8Gb 2-Ch

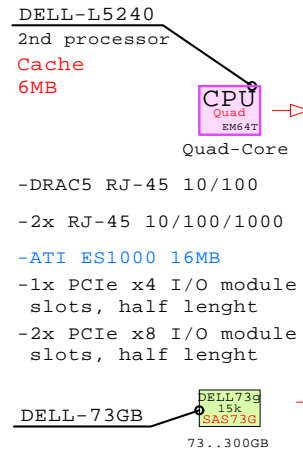


Example Configuration x86-64

Intel Xeon L5240 x86-64



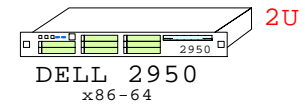
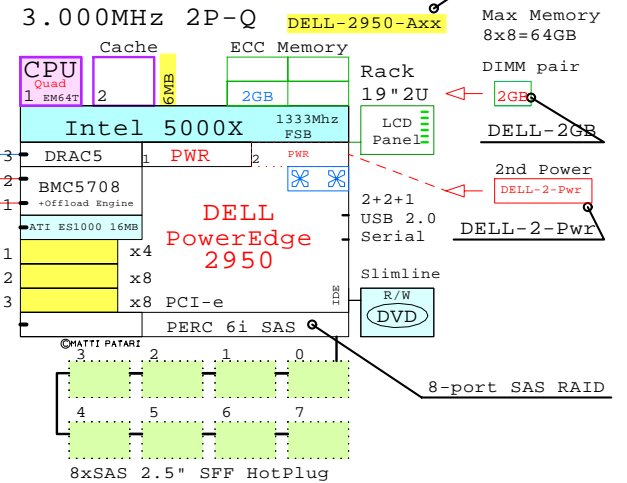
2x 4Gb Fibre Channel to external storage



- DRAC5 RJ-45 10/100
- 2x RJ-45 10/100/1000
- ATI ES1000 16MB
- 1x PCIe x4 I/O module slots, half lenght
- 2x PCIe x8 I/O module slots, half lenght

3000MHz Quad-Core

Intel Xeon L5240 x86-64



MS Windows Server 2003 and 2008
 LINUX: Red Hat, SuSE
 VMware Virtualization Software

Tip for printing:
 - Zoom in area of interest
 - Print, Print Current View

Parts list for the 2P Quad-Core DELL 2950 Xeon system above

	Part Number	Qty	Description
1	DELL-2950-A	1	DELL 2950 2P I QC L5240 6MB 2GB 2U
1.1	DELL-10GbE	1	DELL 10GbE 1-Port server adapter
1.2	DELL-2-Pwr	1	DELL 2950 second power supply
1.3	DELL-2GB	1	DELL 2GB PE Memory 2x1GB
1.4	DELL-73GB	3	DELL 73GB SAS 15000r hot-plug disk 2.5"
1.5	DELL-L5240	1	Xeon QC L5240-1x6MB 3.00GHz for 2950
1.6	DELL-Qlog4	2	DELL Qlog FC 4Gb 1-ch PCIe HBA

© 2009 Matti Patari, All rights reserved.

GOLDEN EGGS Visuals™ Helsinki	08-Feb-2009	GE-DELL-PE2950-A
	Matti.Patari@Kolumbus.Fi	

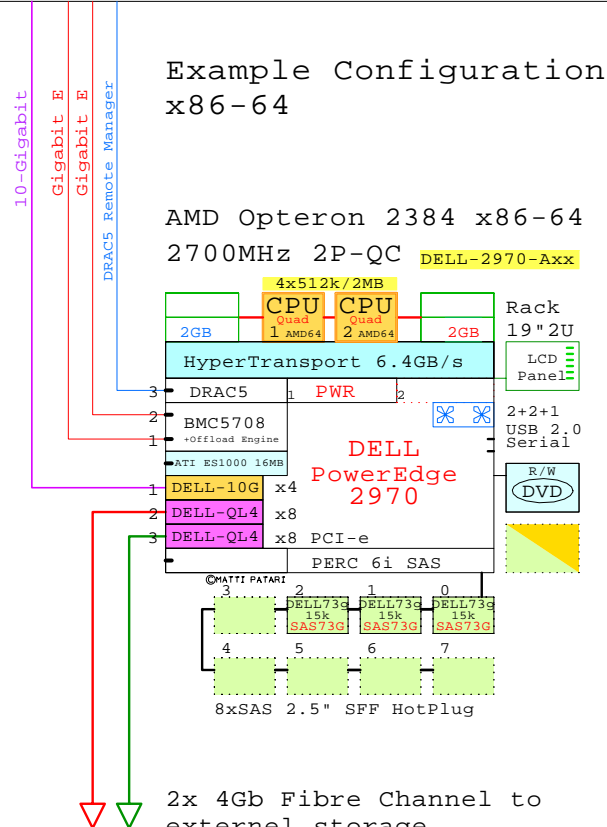
DELL PE2950 2P Xeon L5240 3000MHz
 GOLDEN EGGS Visuals, Helsinki

DELL PE2950 Intel 2P/2U

DELL 2970 AMD

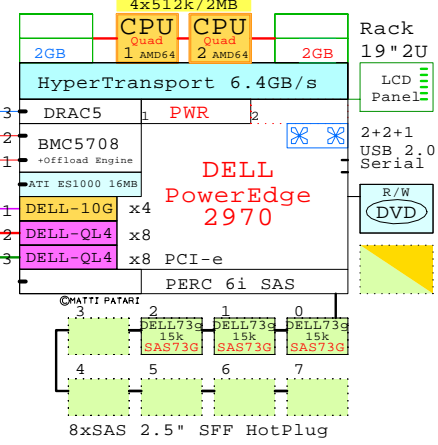
Internal Options:

- DELL-2384**
CPU
2nd Quad-Core 2384
2700MHz 4x512k/2MB
- DELL-1GB**
1GB
- DELL-2GB**
2GB
- DELL-4GB**
4GB
- DELL-8GB**
8GB
- DELL-16GB**
16GB
- DELL-2-Pwr**
2nd Power
- DELL-36GB**
36GB 15k SAS 2.5"
- DELL-73GB**
73GB 15k SAS 2.5"
- DELL-146GB**
146GB 10k SAS 2.5"
- DELL-Copp4**
PRO/1000 PT 4-Ch
- DELL-10GbE**
10Gb PCIe HBA
- DELL-Qlog4**
Qlog FC 4Gb 1-Ch
- DELL-QL8c**
Qlog FC 8Gb 2-Ch

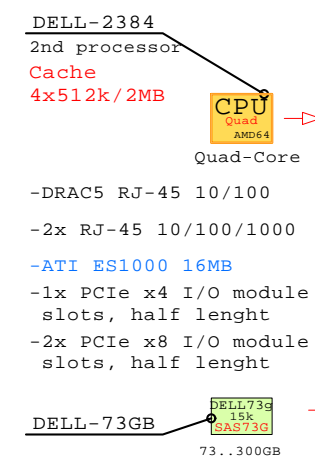


Example Configuration x86-64

AMD Opteron 2384 x86-64
2700MHz 2P-QC **DELL-2970-Axx**



2x 4Gb Fibre Channel to external storage

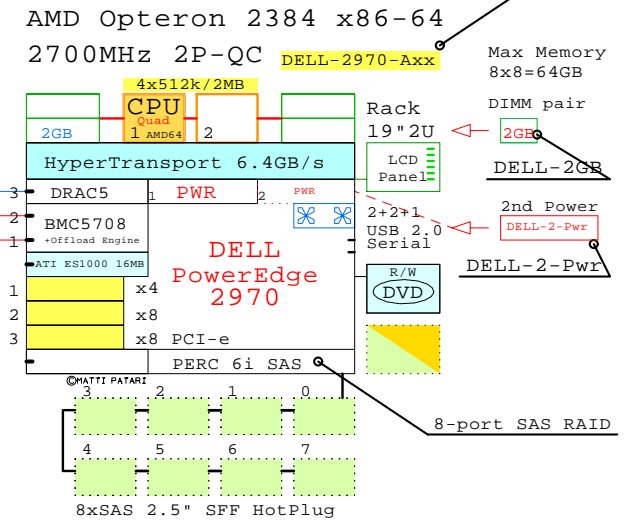


DELL-2384
2nd processor
Cache
4x512k/2MB

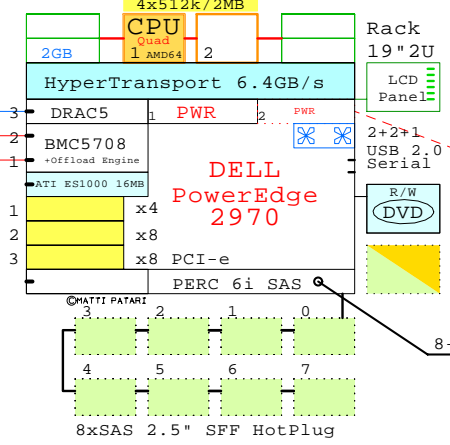
- DRAC5 RJ-45 10/100
- 2x RJ-45 10/100/1000
- ATI ES1000 16MB
- 1x PCIe x4 I/O module slots, half length
- 2x PCIe x8 I/O module slots, half length



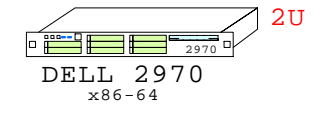
2700MHz Quad-Core



AMD Opteron 2384 x86-64
2700MHz 2P-QC **DELL-2970-Axx**



- System#
- Max Memory 8x8=64GB
- DIMM pair
- DELL-2GB
- 2nd Power
- DELL-2-Pwr
- 8-port SAS RAID



MS Windows Server 2003 and 2008
LINUX: Red Hat, SuSE
VMware Virtualization Software

Tip for printing:
- Zoom in area of interest
- Print, Print Current View

Parts list for the 2P Quad-Core DELL 2970 AMD system above

Part Number	Qty	Description
1	1	DELL 2970 2P O QC 2384 4x512k/2MB 2GB 2U
1.1	1	DELL 10GbE 1-Port server adapter
1.2	1	DELL-2384 1 AMD64 QC 2384-4x512/2MB 2.7GHz for 2970
1.3	1	DELL-2GB 1 DELL 2GB PE Memory 2x1GB
1.4	3	DELL-73GB 3 DELL 73GB SAS 15000r hot-plug disk 2.5"
1.5	2	DELL-Qlog4 2 DELL Qlog FC 4Gb 1-ch PCIe HBA

© 2009 Matti Patari, All rights reserved.
GOLDEN EGGS Visuals™ Helsinki 08-Feb-2009 GE-DELL-PE2970-A Matti.Patari@Kolumbus.Fi

DELL PE2970 2P AMD 2384 2700MHz
GOLDEN EGGS Visuals, Helsinki

DELL PE2970 AMD 2P/2U

DELL R805 AMD

Internal Options:

- 1GB -> DELL-1GB
- 2GB -> DELL-2GB
- 4GB -> DELL-4GB
- 8GB -> DELL-8GB
- 16GB -> DELL-16GB
- DDR2-SDRAM pairs
2x DIMMs each

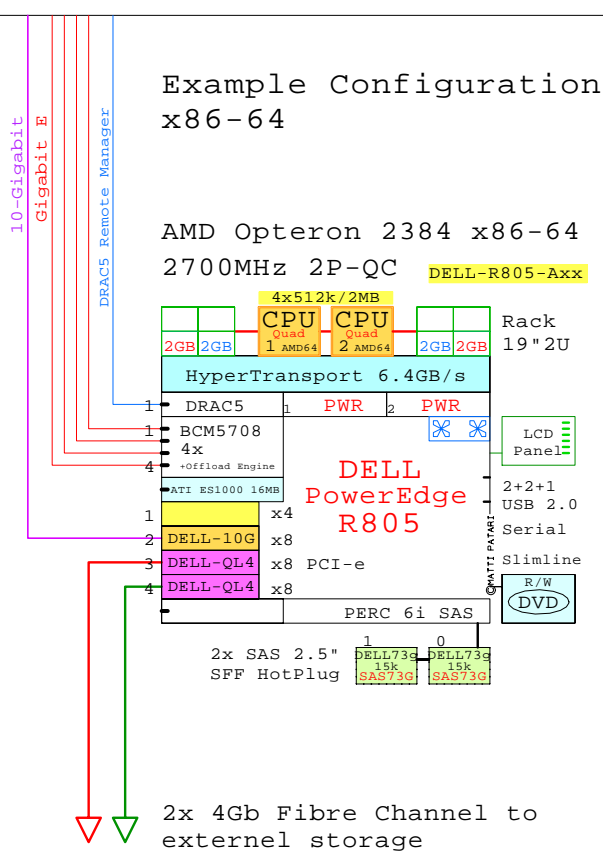
- DELL36G 15k SAS36G -> DELL-36GB
36GB 15k SAS 2.5"
- DELL73G 15k SAS73G -> DELL-73GB
73GB 15k SAS 2.5"
- DELL146 10k SAS146 -> DELL-146GB
146GB 10k SAS 2.5"

- DELL-Co4 -> DELL-Copp4
PRO/1000 PT 4-Ch

- DELL-10G -> DELL-10GbE
10Gb PCIe HBA

- DELL-QL4 -> DELL-Qlog4
Qlog FC 4Gb 1-Ch

- DELL-QL8 -> DELL-Qlog8
Qlog FC 8Gb 2-Ch

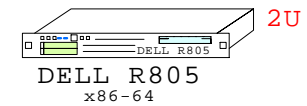
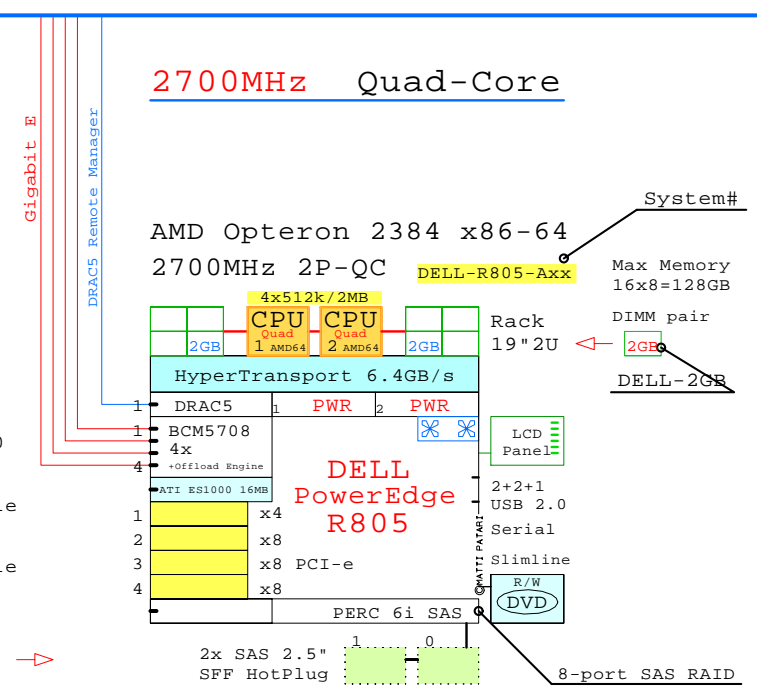


- DRAC5 RJ-45 10/100
- 4x RJ-45 10/100/1000
- ATI ES1000 16MB
- 1x PCIe x4 I/O module slots, half length
- 3x PCIe x8 I/O module slots, half length

DELL-73GB -> DELL73G 15k SAS73G
73...300GB

2700MHz Quad-Core

AMD Opteron 2384 x86-64
2700MHz 2P-QC **DELL-R805-Axx**



MS Windows Server 2003 and 2008
LINUX: Red Hat, SuSE
VMware Virtualization Software

Tip for printing:

- Zoom in area of interest
- Print, Print Current View

Parts list for the 2P Quad-Core DELL R805 AMD system above

	Part Number	Qty	Description
1	DELL-R805-A	1	DELL R805 2P O QC 2384 4x512k/2MB 4GB 2U
1.1	DELL-10GbE	1	DELL 10GbE 1-Port server adapter
1.2	DELL-2GB	2	DELL 2GB PE Memory 2x1GB
1.3	DELL-73GB	2	DELL 73GB SAS 15000r hot-plug disk 2.5"
1.4	DELL-Qlog4	2	DELL Qlog FC 4Gb 1-ch PCIe HBA

© 2009 Matti Patari, All rights reserved.

GOLDEN EGGS Visuals™ Helsinki	08-Feb-2009	GE-DELL-PER805-A
		Matti.Patari@Kolumbus.Fi

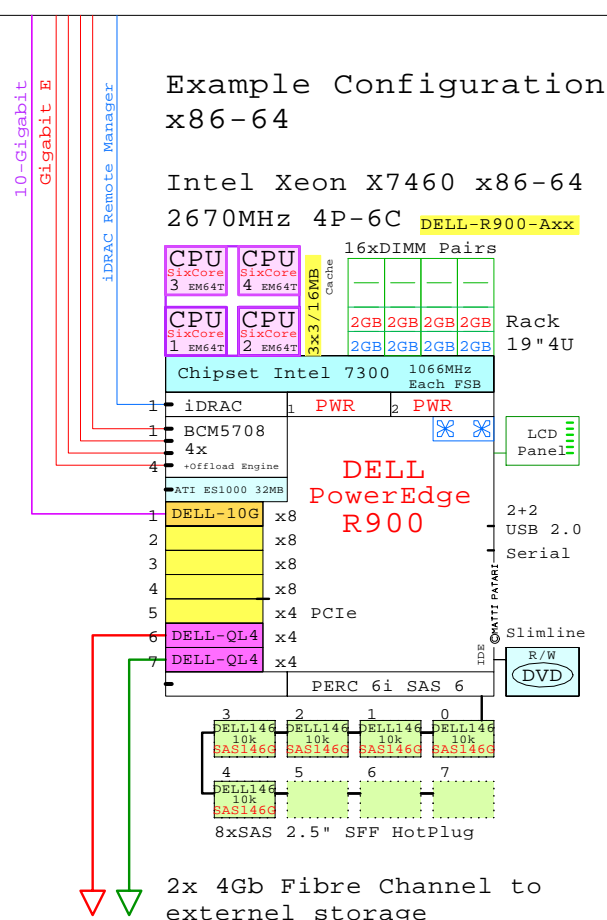
DELL PE R805 2P AMD 2384 2700MHz
GOLDEN EGGS Visuals, Helsinki

DELL PE R805 AMD 2P/2U

DELL R900 Xeon

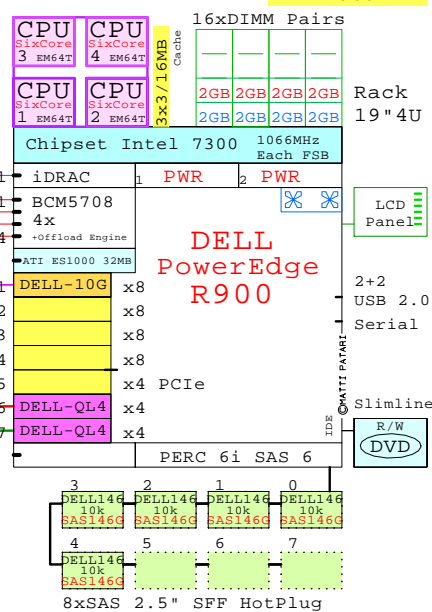
Internal Options:

- DELL-X7460**
3/4 Six-Core E7460
2670MHz 3x3/12MB
- DELL-1GB**
1GB
- DELL-2GB**
2GB
- DELL-4GB**
4GB
- DELL-8GB**
8GB
- DELL-16GB**
DDR2-SDRAM pairs
2x DIMMs each
- DELL-36GB**
36GB 15k SAS 2.5"
- DELL-73GB**
73GB 15k SAS 2.5"
- DELL-146GB**
146GB 10k SAS 2.5"
- DELL-Copp4**
PRO/1000 PT 4-Ch
- DELL-10GbE**
10Gb PCIe HBA
- DELL-Qlog4**
Qlog FC 4Gb 1-Ch
- DELL-Qlog8**
Qlog FC 8Gb 2-Ch



Example Configuration x86-64

Intel Xeon X7460 x86-64
2670MHz 4P-6C



2x 4Gb Fibre Channel to external storage

Parts list for the 4P Six-Core DELL R900 Xeon system above

	Part Number	Qty	Description
1	DELL-R900-A	1	DELL R900 4P Six X7460 3x3/16MB 8GB 4U
1.1	DELL-10GbE	1	DELL 10GbE 1-Port server adapter
1.2	DELL-146GB	5	DELL 146GB SAS 10000r hot-plug disk 2.5"
1.3	DELL-2GB	4	DELL 2GB PE Memory 2x1GB
1.4	DELL-Qlog4	2	DELL Qlog FC 4Gb 1-ch PCIe HBA
1.5	DELL-X7460	2	DELL Xeon X7460 6core 2.67GHz 16MB Proce

DELL PE R900 Intel 4P/4U

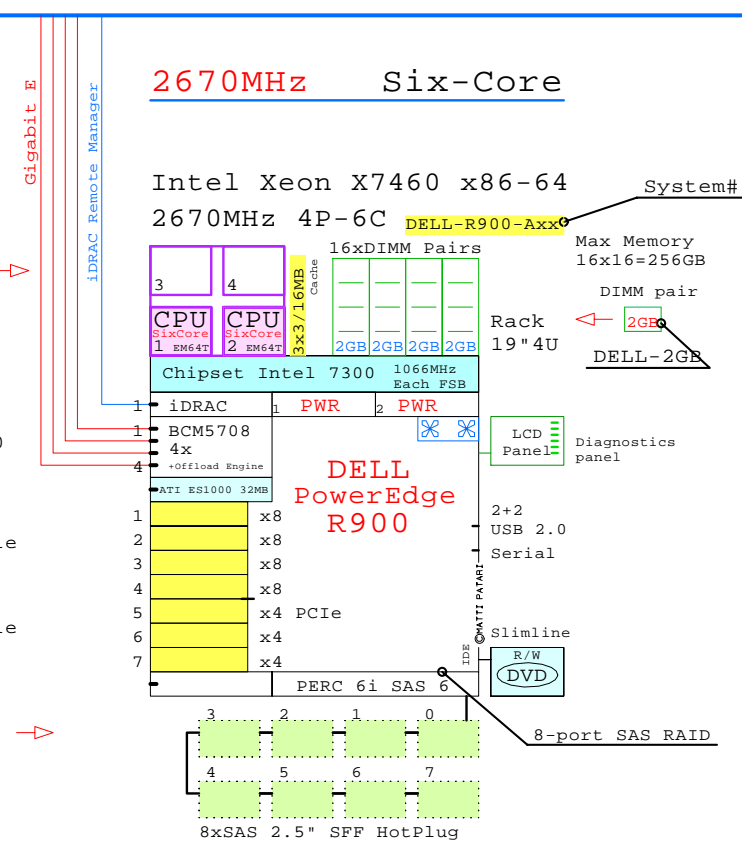
2670MHz Six-Core

DELL-X7460
3rd-4th proc.

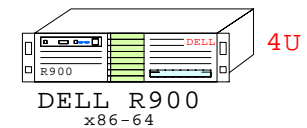
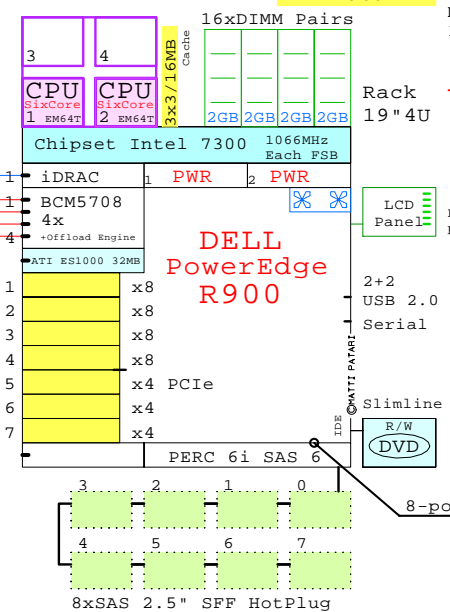
Cache
3x3/12MB

- iDRAC RJ-45 10/100
- 4x RJ-45 10/100/1000
- ATI ES1000 32MB
- 4x PCIe x8 I/O module slots, half length
- 3x PCIe x4 I/O module slots, half length

DELL-73GB
73..300GB



Intel Xeon X7460 x86-64
2670MHz 4P-6C



MS Windows Server 2003 and 2008
LINUX: Red Hat, SuSE
VMware Virtualization Software

Tip for printing:

- Zoom in area of interest
- Print, Print Current View

© 2009 Matti Patari, All rights reserved.

GOLDEN EGGS Visuals™ Helsinki	08-Feb-2009	GE-DELL-PER900-A
	Matti.Patari@Kolumbus.Fi	

DELL PE R900 4P Xeon E7460 2670MH
GOLDEN EGGS Visuals, Helsinki

DELL R905 AMD

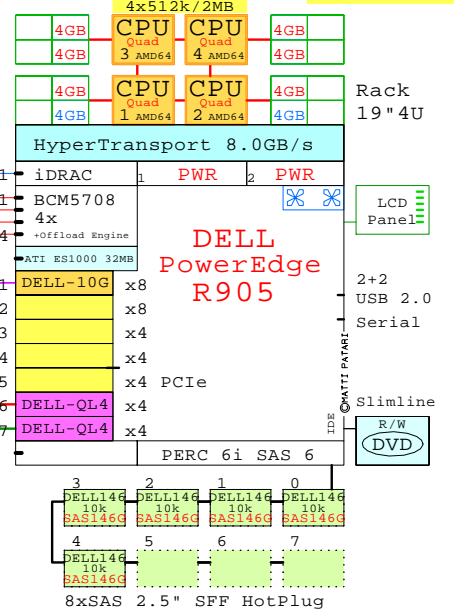
Internal Options:

- DELL-8360SE**
CPU Quad AMD64
3/4 Quad-Core 8360SE
2500MHz 4x512k/2MB
- DELL-1GB**
1GB
- DELL-2GB**
2GB
- DELL-4GB**
4GB
- DELL-8GB**
8GB
- DELL-16GB**
16GB
- DDR2-SDRAM pairs**
2x DIMMs each
- DELL-36GB**
DELL36G 15k SAS36G
36GB 15k SAS 2.5"
- DELL-73GB**
DELL73G 15k SAS73G
73GB 15k SAS 2.5"
- DELL-146GB**
DELL146 10k SAS146G
146GB 10k SAS 2.5"

- DELL-Copp4**
DELL-Co4C
PRO/1000 PT 4-Ch
- DELL-10GbE**
DELL-10G
10Gb PCIe HBA
- DELL-Qlog4**
DELL-QL4C
Qlog FC 4Gb 1-Ch
- DELL-Qlog8**
DELL-QL8C
Qlog FC 8Gb 2-Ch

Example Configuration x86-64

AMD Opteron 8360SE x86-64
2500MHz 4P-QC
DELL-R905-Axx



2x 4Gb Fibre Channel to external storage

Parts list for the 4P Quad-Core DELL R905 AMD system above

Part Number	Qty	Description
1	1	DELL-R905-A 1 DELL R905 4P QC 8360SE 3x3/16MB 8GB 4U
1.1	1	DELL-10GbE 1 DELL 10GbE 1-Port server adapter
1.2	5	DELL-146GB 5 DELL 146GB SAS 10000r hot-plug disk 2.5"
1.3	6	DELL-4GB 6 DELL 4GB PE Memory 2x2GB
1.4	2	DELL-8360SE 2 AMD64 QC 8360SE 4x512/2MB 2.50GHz for R9
1.5	2	DELL-Qlog4 2 DELL Qlog FC 4Gb 1-ch PCIe HBA

2500MHz Quad-Core

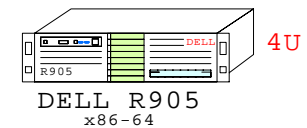
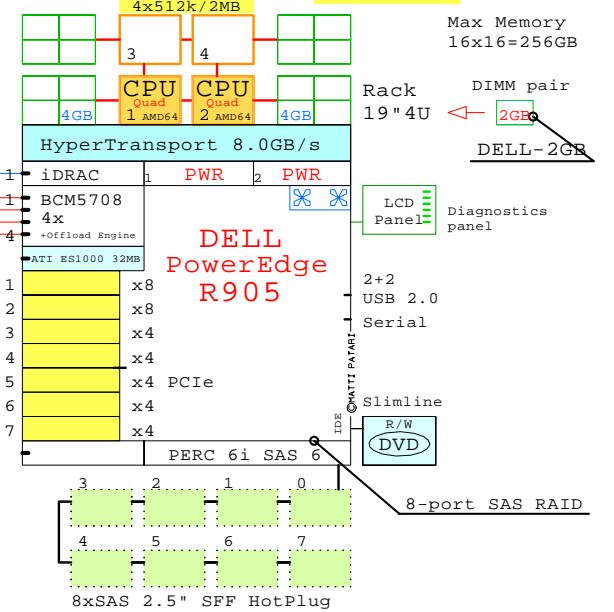
DELL-8360SE
3rd-4th proc.

Cache
4x512k/2MB
CPU Quad AMD64
Quad-Core

- iDRAC RJ-45 10/100
- 4x RJ-45 10/100/1000
- ATI ES1000 32MB
- 2x PCIe x8 I/O module slots, half length
- 5x PCIe x4 I/O module slots, half length

DELL-73GB
DELL73G 15k SAS73G
73..300GB

AMD Opteron 8360SE x86-64 System#
2500MHz 4P-QC
DELL-R905-Axx



MS Windows Server 2003 and 2008
LINUX: Red Hat, SuSE
VMware Virtualization Software

Tip for printing:

- Zoom in area of interest
- Print, Print Current View

© 2009 Matti Patari, All rights reserved.

GOLDEN EGGS Visuals™ Helsinki	08-Feb-2009	GE-DELL-PER905-A Matti.Patari@Kolumbus.Fi
-------------------------------	-------------	--

DELL PE R905 4P AMD 8360SE 2500MH
GOLDEN EGGS Visuals, Helsinki