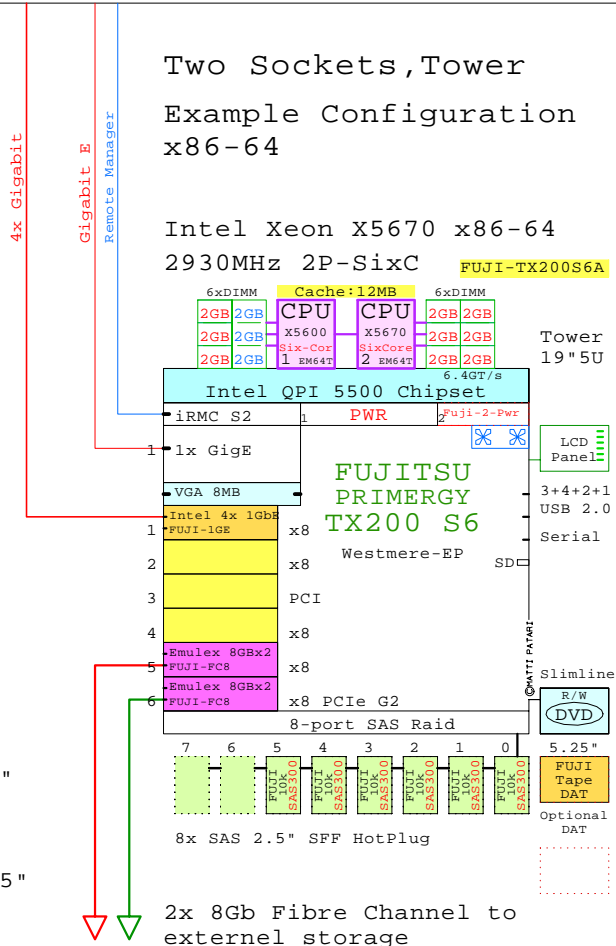


TX200 S6
Xeon 5600

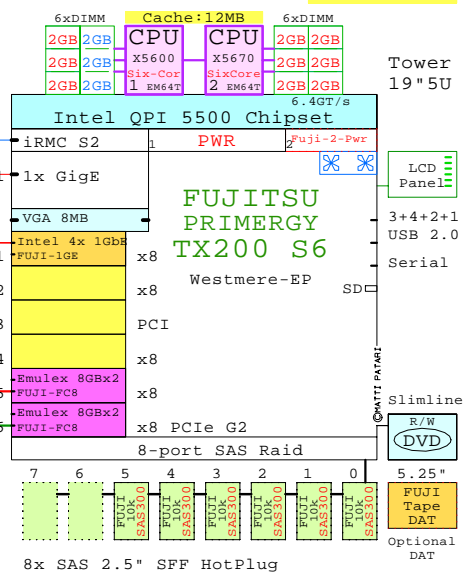
Internal Options:

- FUJI-X5670**
CPU X5670 2nd Six-Core X5670 2930MHz 12MB SixCore EM64T
- Fuji-2GB**
2GB
- Fuji-4GB**
4GB
- Fuji-8GB**
8GB
- Fuji-16GB**
16GB
- DDR3-SDRAM 1x DIMMs each
- FUJI-2-Pwr**
Fuji-2-Pwr 2nd Power
- FUJI-73GB**
FUJI 15k SAS73G 73GB 15k SAS 2.5"
- FUJI-146GB**
FUJI 15k SAS146 146GB 15k SAS 2.5"
- FUJI-300GB**
FUJI 10k SAS300 300GB 10k SAS 2.5"
- FUJI-64G-SS**
FUJI 80k SAS64G 64GB SSD SAS 2.5"
- FUJI-DAT**
FUJI Tape DAT DAT Tape
- FUJI-1GE**
Intel 4x1GbE Intel 4x1GbE FUJI-1GE
- FUJI-10GE**
Intel 2x10GbE Intel 2x10GbE FUJI-10GE
- FUJI-FC8**
Emulex 8GBx2 FUJI-FC8 Emulex 2xFC8



Two Sockets, Tower
Example Configuration
x86-64

Intel Xeon X5670 x86-64
2930MHz 2P-SixC FUJI-TX200S6A



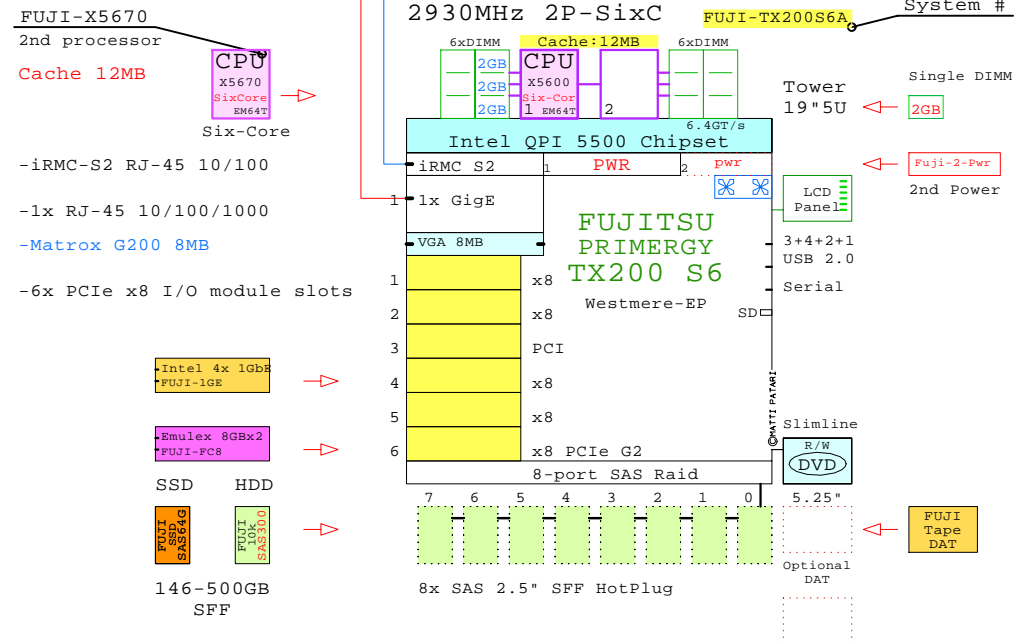
2x 8Gb Fibre Channel to external storage

Parts list for this 2P Six-Core Fujitsu TX200 S6 system

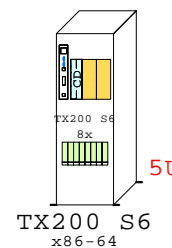
Part Number	Qty	Description
1	FU-TX200S6A	1 Fuji TX200 S6 2P I 6C X5670-12MB 6GB 5U
1.1	FUJI-1GE	1 FUJI 1000PT 4x 1GbE server adapter
1.2	FUJI-2-Pwr	1 Fuji RX3xx second power supply
1.3	FUJI-2GB	9 Fuji 2GB Memory 2x1GB RX600 S4
1.4	FUJI-300GB	6 Fuji 300GB SAS 10000r HotPlug 2.5" disk
1.5	FUJI-DAT	1 Fujitsu SATA DAT Tape Drive
1.6	FUJI-FC8	2 FUJI Emulex FC 8Gb 2-ch PCIe HBA
1.7	FUJI-X5670	1 Xeon 6C X5670-12MB 2.93GHz for TX200S6

Westmere-EP
2930MHz Six-Core

Intel Xeon X5670 x86-64
2930MHz 2P-SixC FUJI-TX200S6A System #



Link to this document: <http://www.goldeneggs.fi/documents/GE-FUJI-TX200S6-A.pdf>



TX200 S6
x86-64

MS Windows Server 2003 and 2008
LINUX: Red Hat, SuSE
VMware Virtualization Software

Tip for detail printing:
- Zoom in area of interest
- Print, Print Current View

GoldenEggs Home:
<http://www.goldeneggs.fi>

© 2010 Matti Patari, All rights reserved.

GOLDEN EGGS Visuals™ Helsinki	21-Dec-2010	GE-FUJI-TX200S6-A Matti.Patari@Kolumbus.Fi
-------------------------------	-------------	---

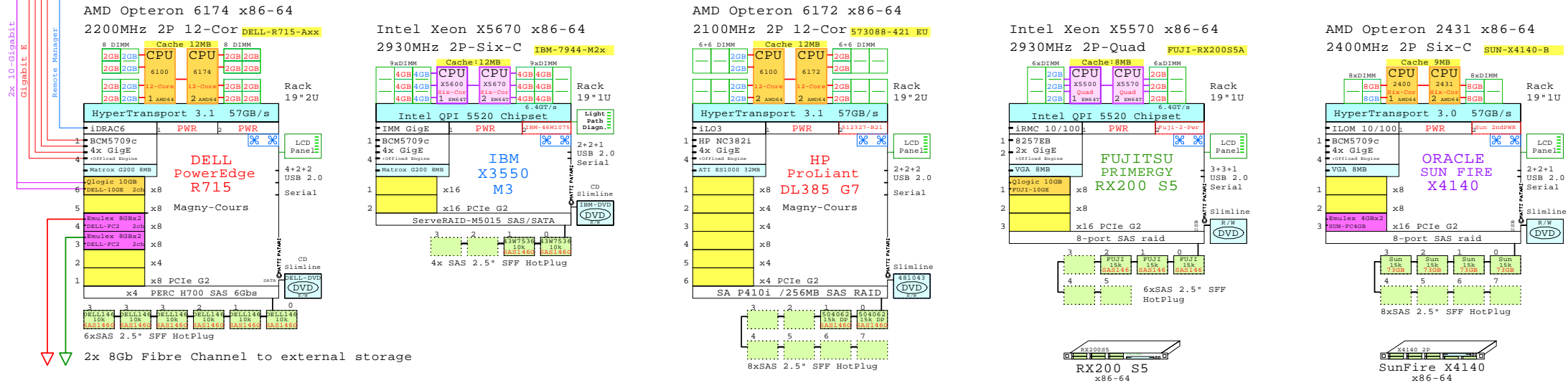
FUJITSU TX200S6 2P X5670 2930Mhz
GOLDEN EGGS Visuals, Helsinki

FUJITSU TX200 S6 Intel 5600 2P/5U

Welcome to Golden Eggs Visual Configurations

<http://www.goldeneggs.fi>

This picture is a comparison chart for: DELL, IBM, HP, FUJITSU and SUN 2-socket x86-64 servers.
A picture is worth of one thousand words. It talks all Global languages.



Golden Eggs history:

It all started late 80's when I was a local Sales technical support at Digital Equipment Corporation Helsinki office. I did have numerous configuration diagrams in my personal paper notebook. This booklet was my daily hand tool to quickly sort out complicated HW configuration. This booklet was photo copied numerous times for our Sales personal, Partners and End-Customers. Then came splendid VAXstations and AutoCAD software available. I pushed the picture arsenal through the screen and the material was distributed in PostScript files in DECnet. The work was available in printable files in all DEC locations. When Internet was invented, Golden Eggs found its delivery to all Customers who needed simple, technical guide books.

Old Golden Eggs outlets are still available at:

- ➔ <http://h18000.www1.hp.com/info/GECPQA/> DEC/Compaq: VAX, Alpha, Storage and ProLiant servers
 - ➔ <http://www.openvms.org/pages.php?page=GoldenEggs> OpenVMS.org: Alpha, Storage, ProLiant and Integrity servers
- This is the present x86 server Golden Eggs Hatchery.
- ➔ <http://www.goldeneggs.fi>

Why ?? Golden Eggs ??

I think that a good service must have a good name. These pictures are real Golden Pieces for system builders.

I wish you nice reading and good x86 system planning sessions.
Matti.Patari@Kolumbus.Fi Helsinki, Finland

Your comments, improvements, etc are always welcome.

© 2010 Matti Patari, All rights reserved.

GOLDEN EGGS Visuals™ Helsinki	03-Jul-2010	GE-Welcomel Matti.Patari@Kolumbus.Fi
-------------------------------	-------------	---

Welcome to Visual Configurations
GOLDEN EGGS Visuals, Helsinki