

FUJITSU TX2560 M1
Xeon E5-2699v3

Internal Options:

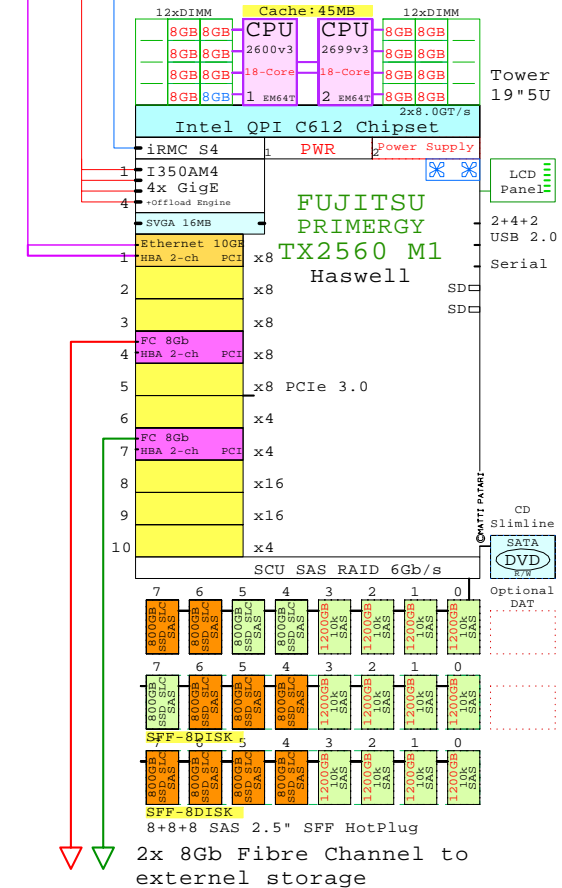
- CPU** I-E5-2699v3
2699v3
18-Core
EM64T
2nd 18-Core
E5-2699v3 45MB
2300MHz 145W
- MEM-8GB**
8GB
Memory
1x DIMMs each
- MEM-16GB**
16GB
- MEM-32GB**
32GB
- POWER-2**
2nd Power 750W
- HDD-300GB**
300GB
15k SAS
- HDD-600GB**
600GB
10k SAS
- HDD-1200GB**
1200GB
10k SAS
- SSD-200GB**
200GB
SSD SLC SAS
- SSD-800GB**
800GB
SSD SLC SAS
- DVD-SATA**
SATA CD-RW/DVD

- PCI-1GbE**
Ethernet 1GbE
HBA 4-ch PCI
- PCI-10GbE**
Ethernet 10GbE
HBA 2-ch PCI
- PCI-FC8**
FC 8Gb
HBA 2-ch PCI
- PCI-RAID**
RAID SAS
HBA SAS RAID

Made by:
Matti.Patari@Kolumbus.FI

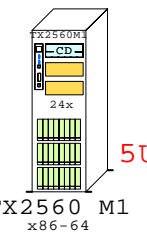
Example Configuration
x86-64

Intel Xeon E5-2699v3 x86-64
2300MHz 2P 18-Core FUJI-TX2560M1



Parts list for the 2P 2x18-Core Fujitsu TX2560 M1

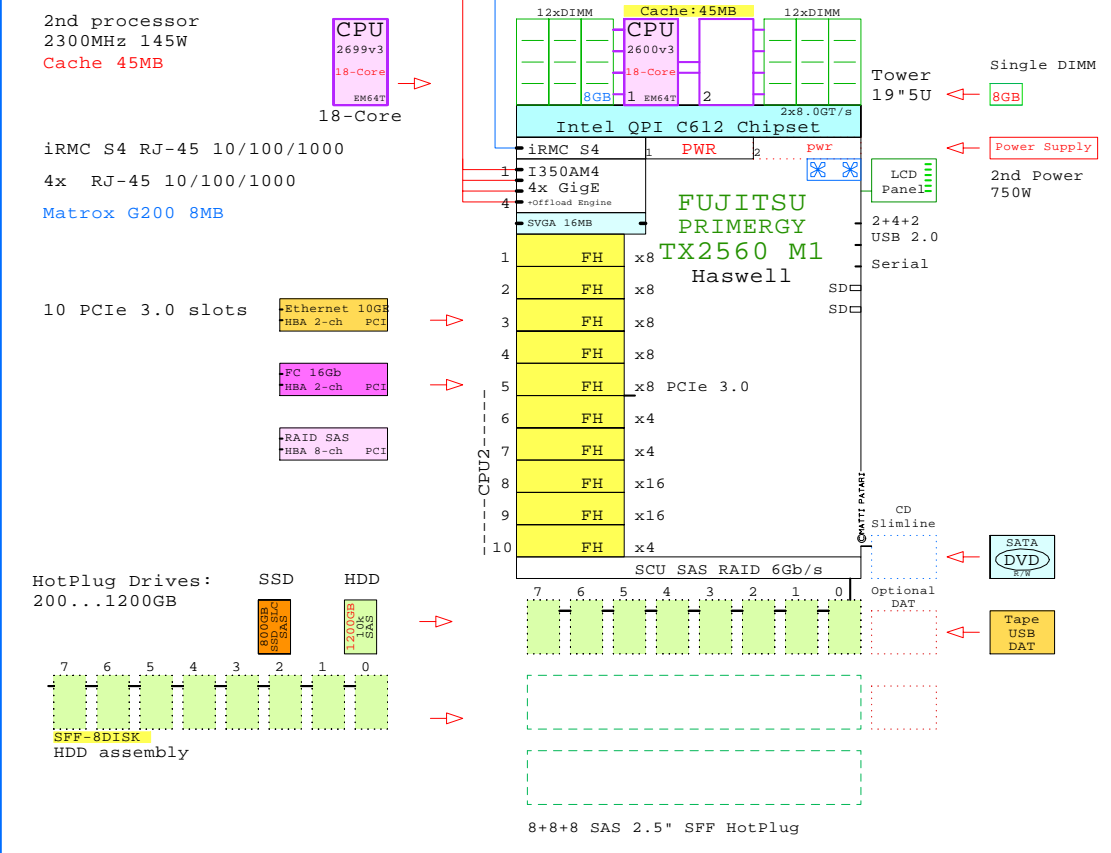
Part Number	Qty	Description
DVD-SATA	1	DVD SATA Slimline
FU-TX2560-M	1	Fuji TX2560-M1 2P 18-C E5-2699v3 45MB 8G
HDD-1200GB	12	Disk HDD 1200GB 2.5" SAS 10k hot-plug
I-E5-2699v3	1	Intel Xeon E5-2699-v3 18-Core 2.3GHz 45M
MEM-8GB	15	Memory 1x 8GB DIMM
PCI-10GbE	1	Ethernet 2x 10GbE PCI HBA
PCI-FC8	2	Fibre Channel 8Gb 2-ch PCI HBA
POWER-2	1	Additional power supply hot-plug
SFF-8DISK	2	Optional 8xHDD/SSD Disk enablement kit
SSD-800GB	12	Disk SSD 800GB 2.5" SAS SLC hot-plug



TX2560 M1
x86-64

Haswell
2300MHz 18-Core

Intel Xeon E5-2699v3 x86-64 Max Memory
2300MHz 2P 18-Core FUJI-TX2560M1 24x 32GB=
768GB



GE-link to this document: <http://www.goldeneggs.fi/documents/GE-FUJI-TX2560M1-A.pdf>

MS Windows Server 2008
LINUX: Red Hat, SuSE

Golden Eggs Home:
<http://www.goldeneggs.fi>

© 2015 Matti Patari, All rights reserved.

GOLDEN EGGS Visuals™ Helsinki	01-Apr-2015	GE-FUJI-TX2560M1-A Matti.Patari@Kolumbus.fi
-------------------------------------	-------------	--

FUJITSU TX2560 M1 2P/5U E5-2699v3
GOLDEN EGGS Visuals, Helsinki

Welcome to GoldenEggs x86 Visual Configurations

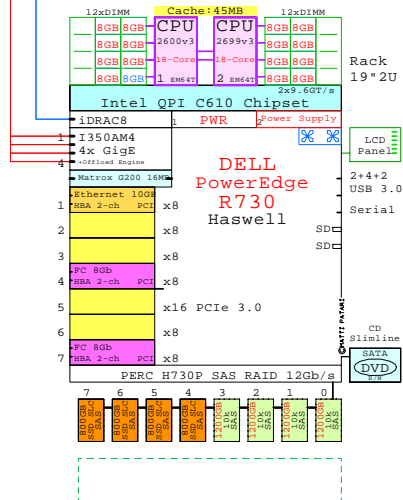
<http://www.goldeneggs.fi>

A picture is worth of one thousand words.
It talks all languages.

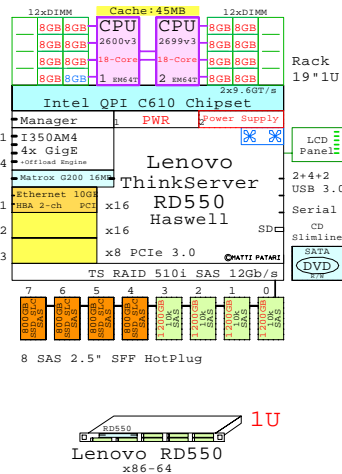
x86-64 servers: **Dell** **IBM** **HP** **Fujitsu** **SUN** **Acer** **Lenovo** and **Cisco**

4x Gigabit E Remote Manager

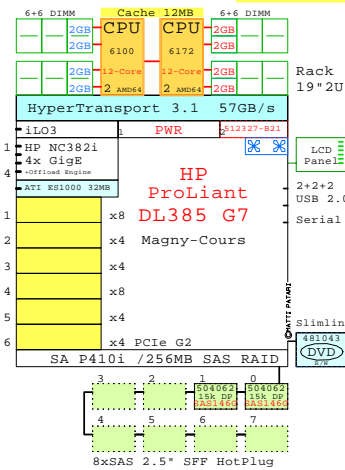
Intel Xeon E5-2699v3 x86-64
2300MHz 2P 18-Core **DELL-R730-A**



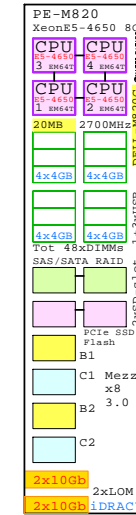
Intel Xeon E5-2699v3 x86-64
2300MHz 2P 18-Core **LENOVO-RD550-A**



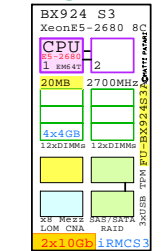
AMD Opteron 6172 x86-64
2100MHz 2P 12-Core **573088-421 EU**



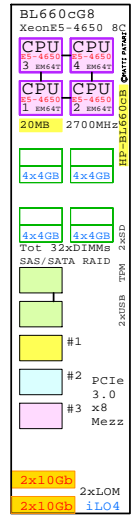
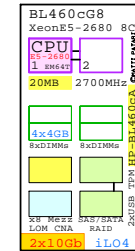
Dell Blades



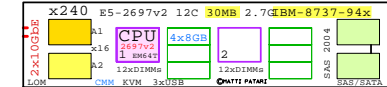
Fujitsu



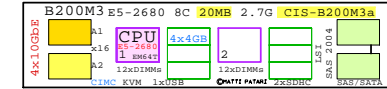
HP Blades



IBM Blades



Cisco Blades



Donate

GoTo PayPal at:
www.GoldenEggs.fi

This site is fully funded from my pocket.
To keep this service running,
Your personal support is welcome.

Matti.Patari@Kolumbus.fi
Helsinki Finland

Older GoldenEggs sites:
<http://h18000.www1.hp.com/info/GECPQA/>

GE-links to x86 COMPARE Pictures:

- New <http://www.goldeneggs.fi/documents/GE-COMP-E52600V3-A.pdf>
- <http://www.goldeneggs.fi/documents/GE-COMP-E74800V2-A.pdf>
- <http://www.goldeneggs.fi/documents/GE-COMPARE-BLADE-A.pdf>
- <http://www.goldeneggs.fi/documents/GE-INT-E5-MAP-A.pdf>

GE-link to GE 25 Year-Book

<http://www.goldeneggs.fi/documents/GE-25-YEAR-BOOK.pdf>

Follow GoldenEggs on Twitter:

@goldeneggsfi

GE-Welcome1

©2015 Matti Patari, All rights reserved.

GOLDEN EGGS Visuals™ Helsinki	14-Mar-2015	GE-Welcome1 Matti.Patari@Kolumbus.Fi
-------------------------------	-------------	--------------------------------------

Welcome to Visual Configurations
GOLDEN EGGS Visuals, Helsinki