

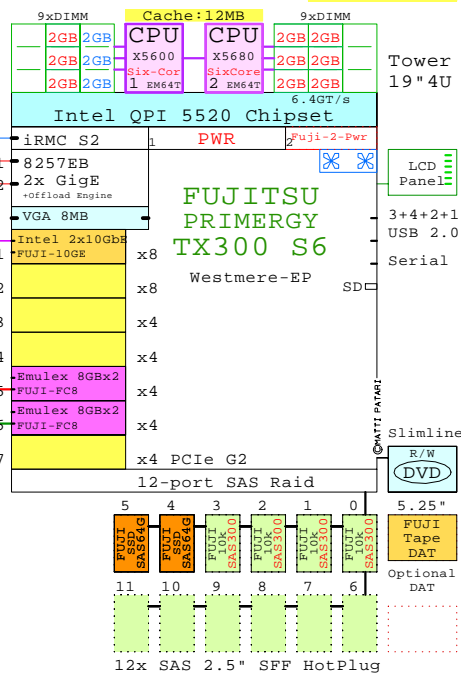
TX300 S6  
Xeon 5600

Internal Options:

- FUJI-X5680**  
CPU X5680 SixCore EM64T  
2nd Six-Core X5680  
3330MHz 12MB
- Fuji-2GB**  
2GB
- Fuji-4GB**  
4GB
- Fuji-8GB**  
8GB
- Fuji-16GB**  
16GB
- DDR3-SDRAM  
1x DIMMs each
- FUJI-2-Pwr**  
Fuji-2-Pwr  
2nd Power
- FUJI-73GB**  
FUJI 15k SAS73G  
73GB 15k SAS 2.5"
- FUJI-146GB**  
FUJI 15k SAS146  
146GB 15k SAS 2.5"
- FUJI-300GB**  
FUJI 10k SAS300  
300GB 10k SAS 2.5"
- FUJI-64G-SS**  
FUJI 80k SAS64G  
64GB SSD SAS 2.5"
- FUJI-DAT**  
FUJI Tape DAT  
DAT Tape
- FUJI-1GE**  
Intel 4x 1GbE  
FUJI-1GE
- FUJI-10GE**  
Intel 2x10GbE  
FUJI-10GE
- FUJI-FC8**  
Emulex 8GBx2  
FUJI-FC8  
Emulex 2xFC8

Two Sockets, Tower  
Example Configuration  
x86-64

Intel Xeon X5680 x86-64  
3330MHz 2P-SixC FUJI-TX300S6A



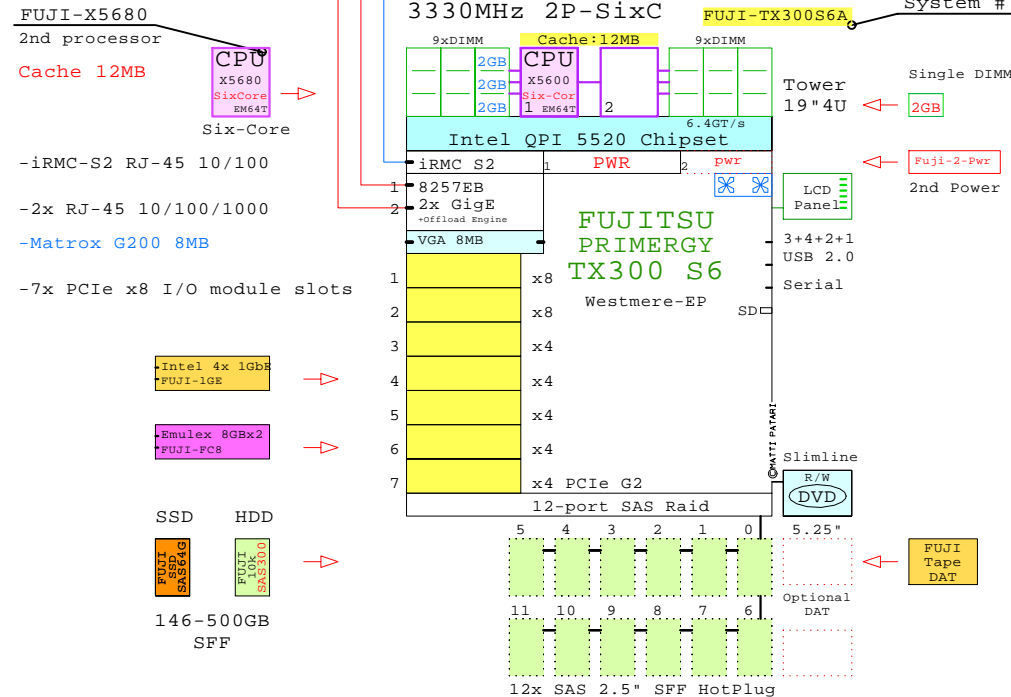
2x 8Gb Fibre Channel to external storage

Parts list for this 2P Six-Core Fujitsu TX300 S6 system

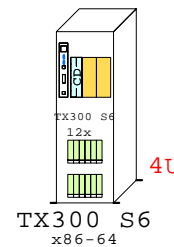
Part Number	Qty	Description
1	1	FU-TX300S6A 1 Fuji TX300 S6 2P I 6C X5680-12MB 6GB 4U
1.1	1	FUJI-10GE 1 FUJI Intel 2x 10GbE server adapter
1.2	1	FUJI-2-Pwr 1 Fuji RX3xx second power supply
1.3	9	FUJI-2GB 9 Fuji 2GB Memory 2x1GB RX600 S4
1.4	4	FUJI-300GB 4 Fuji 300GB SAS 10000r HotPlug 2.5" disk
1.5	2	FUJI-64G-SS 2 Fuji 64GB SAS SSD hot-plug disk 2.5"
1.6	1	FUJI-DAT 1 Fujitsu SATA DAT Tape Drive
1.7	2	FUJI-FC8 2 FUJI Emulex FC 8Gb 2-ch PCIe HBA
1.8	1	FUJI-X5680 1 Xeon 6C X5680-12MB 3.33GHz for TX300S6

Westmere-EP  
3330MHz Six-Core

Intel Xeon X5680 x86-64  
3330MHz 2P-SixC FUJI-TX300S6A System #



Link to this document: <http://www.goldeneggs.fi/documents/GE-FUJI-TX300S6-A.pdf>



MS Windows Server 2003 and 2008  
LINUX: Red Hat, SuSE  
VMware Virtualization Software

Tip for detail printing:  
- Zoom in area of interest  
- Print, Print Current View

GoldenEggs Home:  
<http://www.goldeneggs.fi>

© 2010 Matti Patari, All rights reserved.

GOLDEN EGGS Visuals™ Helsinki	21-Dec-2010	GE-FUJI-TX300S6-A Matti.Patari@Kolumbus.Fi
-------------------------------	-------------	---

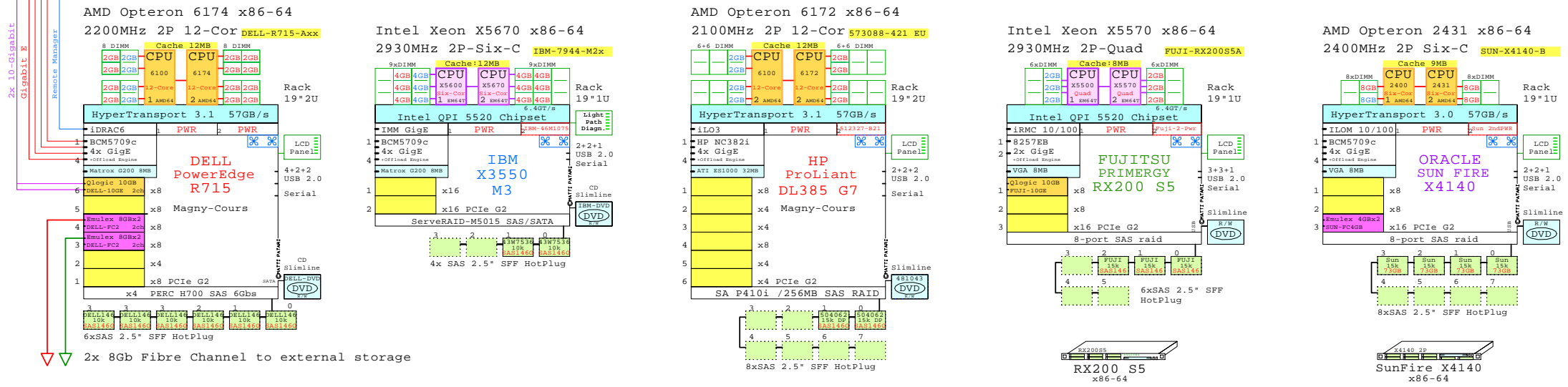
FUJITSU TX300 S6 Intel 5600 2P/4U

FUJITSU TX300S6 2P X5680 3330Mhz  
GOLDEN EGGS Visuals, Helsinki

# Welcome to Golden Eggs Visual Configurations

<http://www.goldeneggs.fi>

This picture is a comparison chart for: DELL, IBM, HP, FUJITSU and SUN 2-socket x86-64 servers.  
A picture is worth of one thousand words. It talks all Global languages.



## Golden Eggs history:

It all started late 80's when I was a local Sales technical support at Digital Equipment Corporation Helsinki office. I did have numerous configuration diagrams in my personal paper notebook. This booklet was my daily hand tool to quickly sort out complicated HW configuration. This booklet was photo copied numerous times for our Sales personal, Partners and End-Customers. Then came splendid VAXstations and AutoCAD software available. I pushed the picture arsenal through the screen and the material was distributed in PostScript files in DECnet. The work was available in printable files in all DEC locations. When Internet was invented, Golden Eggs found its delivery to all Customers who needed simple, technical guide books.

Old Golden Eggs outlets are still available at:

- ➔ <http://h18000.www1.hp.com/info/GECPQA/> DEC/Compaq: VAX, Alpha, Storage and ProLiant servers
- ➔ <http://www.openvms.org/pages.php?page=GoldenEggs> OpenVMS.org: Alpha, Storage, ProLiant and Integrity servers
- This is the present x86 server Golden Eggs Hatchery.
- ➔ <http://www.goldeneggs.fi>

Why ?? Golden Eggs ??  
I think that a good service must have a good name. These pictures are real Golden Pieces for system builders.

I wish you nice reading and good x86 system planning sessions.  
[Matti.Patari@Kolumbus.Fi](mailto:Matti.Patari@Kolumbus.Fi) Helsinki, Finland

Your comments, improvements, etc are always welcome.

© 2010 Matti Patari, All rights reserved.

GOLDEN EGGS Visuals™ Helsinki	03-Jul-2010	GE-Welcomel Matti.Patari@Kolumbus.Fi
-------------------------------	-------------	---

Welcome to Visual Configurations  
GOLDEN EGGS Visuals, Helsinki