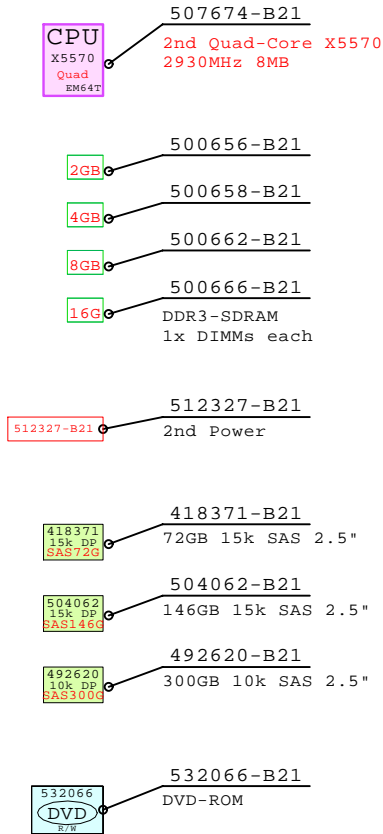


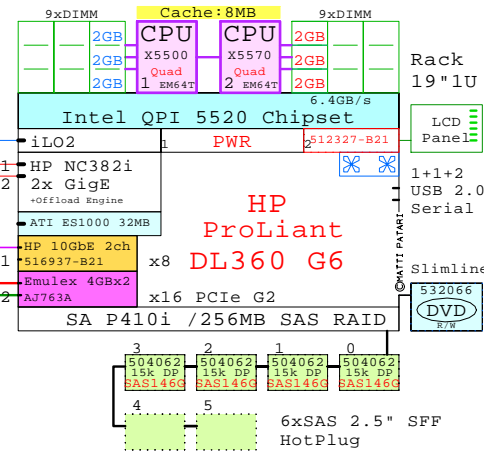
HP DL360-G6
Xeon 5500

Internal Options:



Example Configuration
x86-64

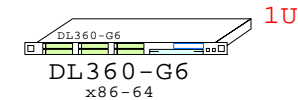
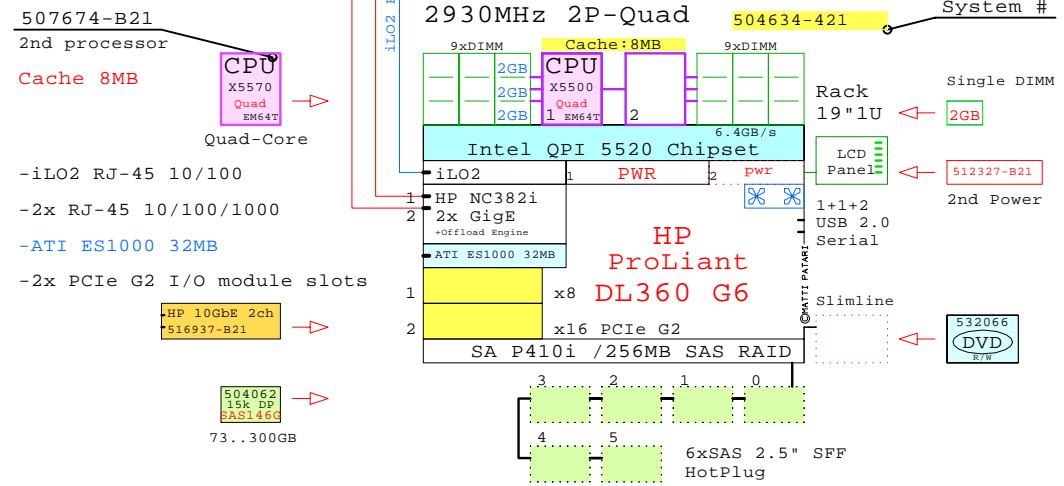
Intel Xeon X5570 x86-64
2930MHz 2P-Quad 504634-421



2x 4Gb Fibre Channel to external storage

Nehalem EP
2930MHz Quad-Core

Intel Xeon X5570 x86-64
2930MHz 2P-Quad 504634-421



MS Windows Server 2003 and 2008
LINUX: Red Hat, SuSE
VMware Virtualization Software

Tip for detail printing:
- Zoom in area of interest
- Print, Print Current View

Golden Eggs Home:
<http://www.goldeneggs.fi>

© 2010 Matti Patari, All rights reserved.

GOLDEN EGGS Visuals™ Helsinki	11-Mar-2010	GE-HP-DL360G6-A
Matti.Patari@Goldeneggs.Fi		

HP ProLiant DL360-G6 X5570 2930Mz
GOLDEN EGGS Visuals, Helsinki

Parts list for the 2P Quad-Core HP DL360-G6 system above

Part Number	Qty	Description
1	1	504634-421 HP DL360-G6 2P I QC X5570-8MB 6GB 1U
1.1	3	500656-B21 HP 2GB 2Rx8 PC3-10600R-9 kit 1x2GB
1.2	4	504062-B21 HP 146GB 3G 15k 2.5" SAS DualPort HDD
1.3	1	507674-B21 Xeon QC X5570-8MB 2.93GHz for DL360G6
1.4	1	512327-B21 DL380 G6 second power WW
1.5	1	516937-B21 HP 10GbE PCI-e G2 DualPort NIC
1.6	1	532066-B21 HP CD-RW/DVD-ROM Option kit DL360G6
1.7	1	AJ763A HP Emulex FC 4Gb 2-ch HBA

HP DL360-G6 Intel 5500 2P/1U