

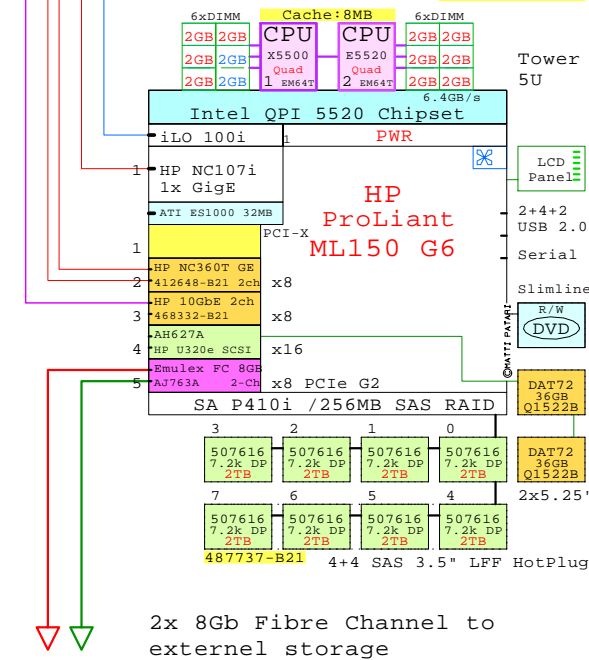
HP ML150-G6  
Xeon 5500

Internal Options:

- 507722-B21  
CPU  
E5520  
Quad  
EM64T  
2nd Quad-Core E5520  
2260MHz 8MB
- 500656-B21  
2GB
- 500658-B21  
4GB
- 500662-B21  
8GB
- 500666-B21  
16GB  
DDR3-SDRAM  
1x DIMMs each
- 461135-B21  
750GB  
7.2k DP  
3G SAS 3.5"
- 461137-B21  
1TB  
7.2k DP  
3G SAS .5"
- 507616-B21  
2TB  
7.2k DP  
6G SAS 3.5"
- Q1522B  
HP DAT72 Tape drive
- 412648-B21  
HP NC360T 2ch GigE
- 468332-B21  
HP NC522SFP 2ch 10GbE
- AH627A  
HP U320e SCSI
- 462864-B21  
HP SA P410 512mb RAID
- AJ763A  
Emulex FC 8Gb 2-ch

Example Configuration  
x86-64

Intel Xeon E5520 x86-64  
2260MHz 2P-Quad 466133-421

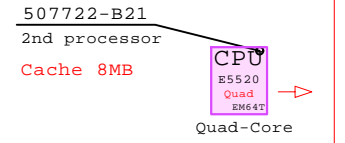


2x 8Gb Fibre Channel to external storage

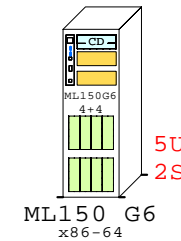
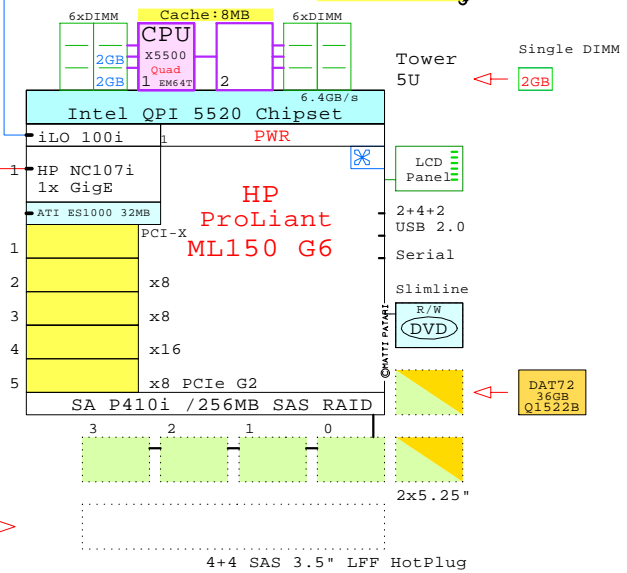
Parts list for the 2 Socket Quad-Core HP ML150-G6 system

Part Number	Qty	Description
1	466133-421	1 HP ML150-G6 2P I QC E5520-8MB 4GB Tower
1.1	412648-B21	1 HP NC360T PCIe GbE DualPort NIC
1.2	468332-B21	1 HP NC522SFP 10GbE DualPort NIC
1.3	487737-B21	1 HP ML150 G6 4 LFF 2nd Driv gage 3.5"
1.3.1	507616-B21	4 HP 2TB 7.2K 3.5" SAS DualPort HDD
1.4	500656-B21	10 HP 2GB 2Rx8 PC3-10600R-9 kit 1x2GB
1.5	507616-B21	4 HP 2TB 7.2K 3.5" SAS DualPort HDD
1.6	507722-B21	1 Xeon QC E5520-8MB 2.26GHz for ML150G6
1.7	AH627A	1 HP U320e SCSI Bus Adapter
1.8	AJ763A	1 HP Emulex FC 8Gb 2-ch PCIe HBA
1.9	Q1522B	2 HP DAT 72 36GB internal drive

Nehalem EP  
2260MHz Quad-Core



Intel Xeon E5520 x86-64  
2260MHz 2P-Quad 466133-421



MS Windows Server 2003 and 2008  
LINUX: Red Hat, SuSE  
VMware Virtualization Software

Tip for detail printing:  
- Zoom in area of interest  
- Print, Print Current View

Golden Eggs Home:  
<http://www.goldeneggs.fi>

© 2010 Matti Patari, All rights reserved.

GOLDEN EGGS Visuals™ Helsinki	06-Jun-2010	GE-HP-ML150G6-A Matti.Patari@Goldeneggs.Fi
-------------------------------	-------------	---

HP ProLiant ML150-G6 E5520 2260Mz  
GOLDEN EGGS Visuals, Helsinki

HP ProLiant ML150-G6 Intel 5500 2P/5U