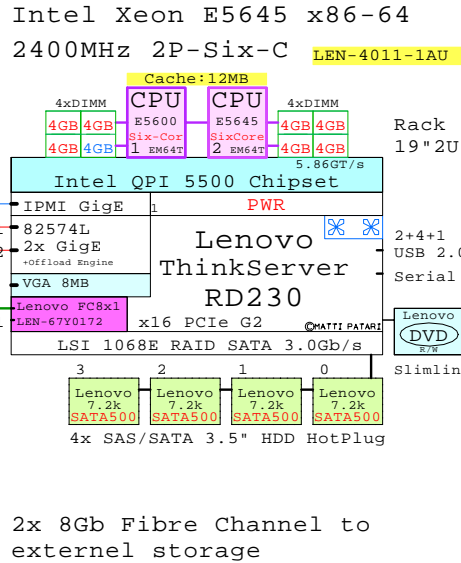


Lenovo ThinkServer  
RD230  
Xeon 5600

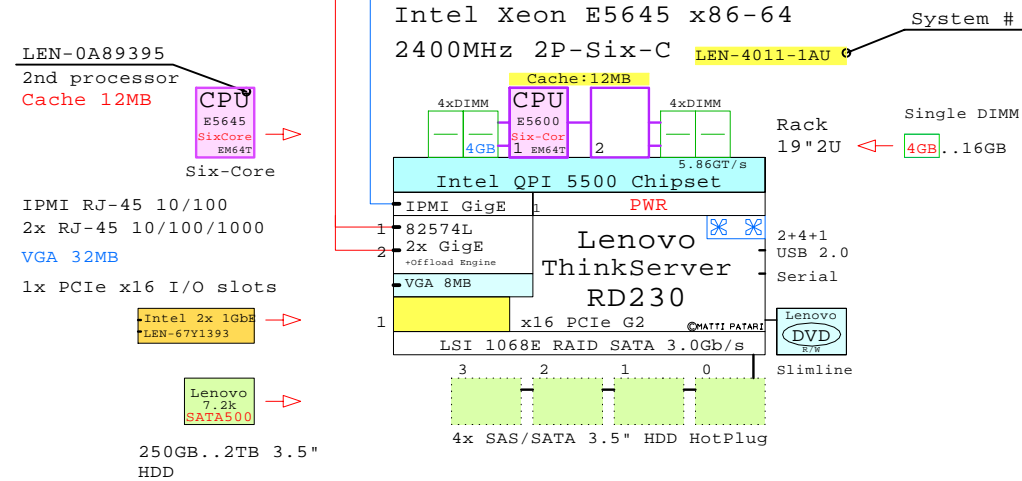
Internal Options:

- LEN-0A89395  
2nd Six-Core E5645  
2400MHz 12MB
- LEN-67Y1432  
2GB DDR3-RDIMM  
1x 2GB RDIMM
- LEN-67Y1433  
4GB DDR3-RDIMM  
1x 4GB RDIMM
- LEN-67Y1464  
8GB DDR3-RDIMM  
1x 8GB RDIMM
- LEN-67Y1400  
250GB 7.2k SATA 3.5"
- LEN-67Y1401  
500GB 7.2k SATA 3.5"
- LEN-67Y1402  
1TB 7.2k SATA 3.5"
- LEN-67Y2642  
2TB 7.2k SATA 3.5"
- LEN-67Y1393  
Intel 2x 1GbE  
1GbE 2ch LAN Adapter
- LEN-67Y2622  
Lenovo RAID  
SAS RAID 8-Port
- LEN-67Y0172  
Lenovo FC8x1  
FC 8Gb 1ch HBA
- LEN-67Y0173  
Lenovo FC8x2  
FC 8Gb 2ch HBA

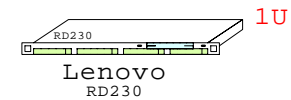
Two Sockets, 1U  
Example Configuration  
x86-64



Westmere-EP  
Six-Core  
2400MHz  
5600



Link to this document: <http://www.goldeneggs.fi/documents/GE-LENOVO-RD230-A.pdf>



Parts list for the 2P Six-Core Lenovo RD230 system above

Part Number	Qty	Description
1	LEN-4011-1A	1 Lenovo RD230 2P I 6C E5645-12MB 4GB 1U
1.1	LEN-0A89395	1 Lenovo Xeon 6C E5645-12MB 2.4GHz RD230
1.2	LEN-67Y0172	1 Lenovo Qlog FC 8Gb 1-ch PCIe HBA
1.3	LEN-67Y1401	4 Lenovo 500GB SATA 7.2K 3.5" Disk
1.4	LEN-67Y1433	7 Lenovo 4GB Mem 1x4GB RDIMM TD230

MS Windows Server 2003 and 2008 R2  
 LINUX: Red Hat, SuSE  
 VMware Virtualization Software  
 Hyper-V

Tip for detail printing:  
 - Zoom in area of interest  
 - Print, Print Current View

GoldenEggs Home:  
<http://www.goldeneggs.fi>

© 2011 Matti Patari, All rights reserved.

GOLDEN EGGS Visuals™ Helsinki	20-Mar-2011	GE-LENOVO-RD230-A Matti.Patari@Kolumbus.Fi
-------------------------------	-------------	---

Lenovo RD230 2P/1U E5645 2400MHz  
 GOLDEN EGGS Visuals, Helsinki

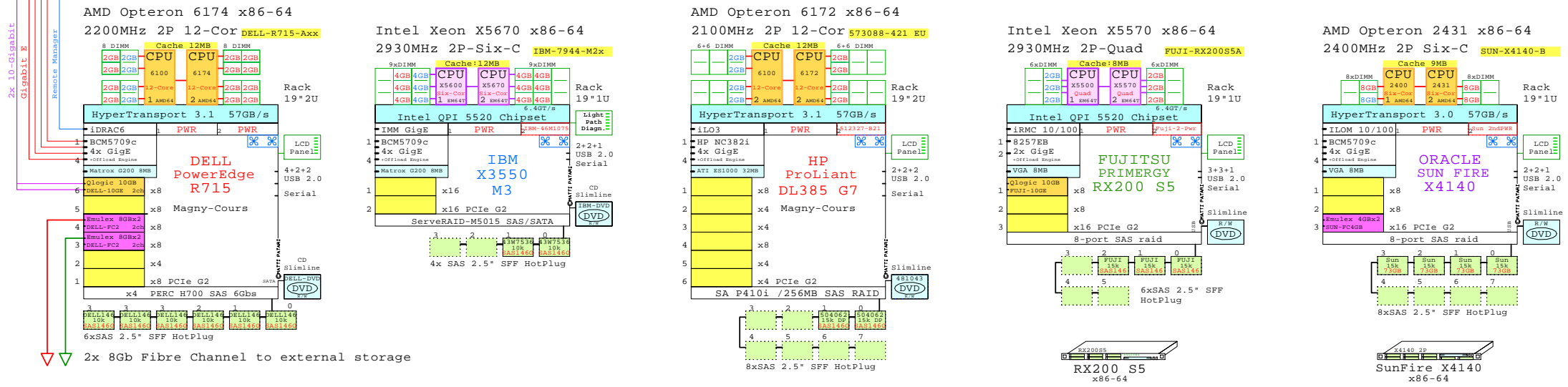
For more info:  
<http://www.lenovo.com/psref/pdf/svbook.pdf>

Lenovo ThinkServer RD230 Six-Core 2P/1U

# Welcome to Golden Eggs Visual Configurations

<http://www.goldeneggs.fi>

This picture is a comparison chart for: DELL, IBM, HP, FUJITSU and SUN 2-socket x86-64 servers.  
A picture is worth of one thousand words. It talks all Global languages.



## Golden Eggs history:

It all started late 80's when I was a local Sales technical support at Digital Equipment Corporation Helsinki office. I did have numerous configuration diagrams in my personal paper notebook. This booklet was my daily hand tool to quickly sort out complicated HW configuration. This booklet was photo copied numerous times for our Sales personal, Partners and End-Customers. Then came splendid VAXstations and AutoCAD software available. I pushed the picture arsenal through the screen and the material was distributed in PostScript files in DECnet. The work was available in printable files in all DEC locations. When Internet was invented, Golden Eggs found its delivery to all Customers who needed simple, technical guide books.

Old Golden Eggs outlets are still available at:

- ➔ <http://h18000.www1.hp.com/info/GECPQA/> DEC/Compaq: VAX, Alpha, Storage and ProLiant servers
- ➔ <http://www.openvms.org/pages.php?page=GoldenEggs> OpenVMS.org: Alpha, Storage, ProLiant and Integrity servers

This is the present x86 server Golden Eggs Hatchery.  
➔ <http://www.goldeneggs.fi>

Why ?? Golden Eggs ??  
I think that a good service must have a good name. These pictures are real Golden Pieces for system builders.

I wish you nice reading and good x86 system planning sessions.  
[Matti.Patari@Kolumbus.Fi](mailto:Matti.Patari@Kolumbus.Fi) Helsinki, Finland

Your comments, improvements, etc are always welcome.

© 2010 Matti Patari, All rights reserved.

GOLDEN EGGS Visuals™ Helsinki	03-Jul-2010	GE-Welcomel Matti.Patari@Kolumbus.Fi
-------------------------------	-------------	---

Welcome to Visual Configurations  
GOLDEN EGGS Visuals, Helsinki  
First rev 18-Apr-10