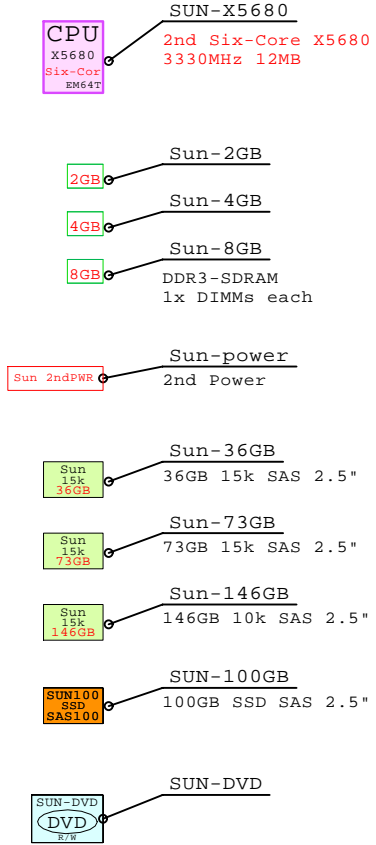


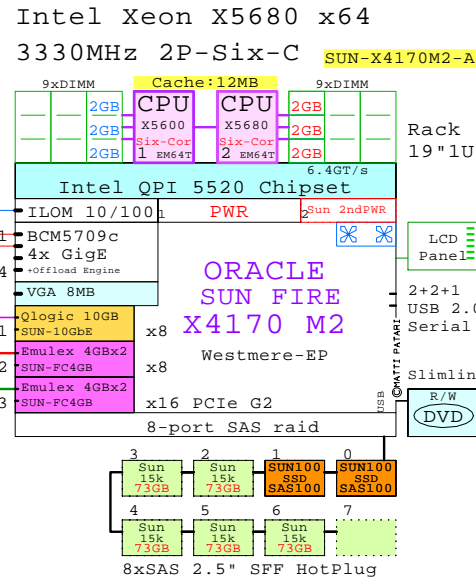
SUN X4170 M2
Xeon 5600

Internal Options:



10-Gigabit
Gigabit E
Gigabit E
ILOM Remote Manager

Example Configuration
x64

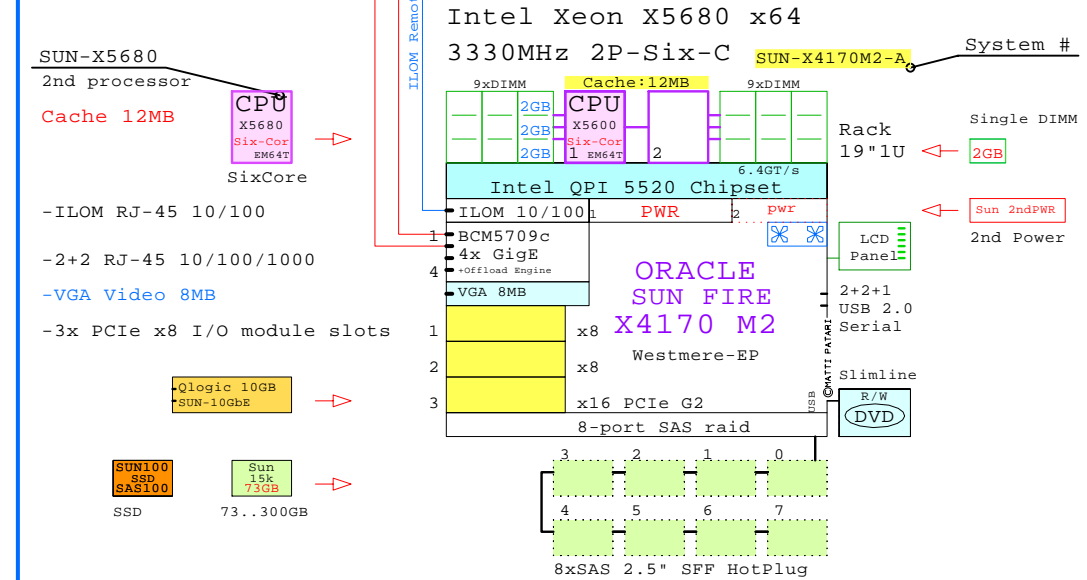


2x 4Gb Fibre Channel to
external storage

Parts list for the 2P Six-Core SUN X4170 M2 system above

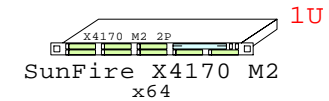
Part Number	Qty	Description
1	1	SUN-X4170M2 SUN x4170 M2 2P Six X5680-12MB 6GB 1U
1.1	2	SUN-100GB SUN 100GB SAS SSD hot-plug disk 2.5"
1.2	1	SUN-10GbE 1 SUN Qlogic 10Gb CNA server adapter
1.3	2	SUN-FC4GB 2 SUN Emulex FC 4Gb 2-ch PCIe HBA
1.4	1	SUN-X5680 1 Xeon 6C X5680-12MB 3.33GHz for X4270
1.5	3	Sun-2GB 3 Sun 2GB Memory option kit 2x1GB
1.6	5	Sun-73GB 5 Sun 73GB SAS 15000r HotPlug 2.5" disk
1.7	1	Sun-power 1 Sun second power supply

Westmere-EP
3330MHz Six-Core



GE-link to this document:

<http://www.goldeneggs.fi/documents/GE-SUN-X4170M2-A.pdf>



MS Windows Server 2003 and 2008
LINUX: Red Hat, SuSE
VMware Virtualization Software

Tip for detail printing:
- Zoom in area of interest
- Print, Print Current View

Golden Eggs Home:
<http://www.goldeneggs.fi>

© 2010 Matti Patari, All rights reserved.

GOLDEN EGGS Visuals™ Helsinki	04-Oct-2010	GE-SUN-X4170M2-A
		Matti.Patari@Kolumbus.Fi

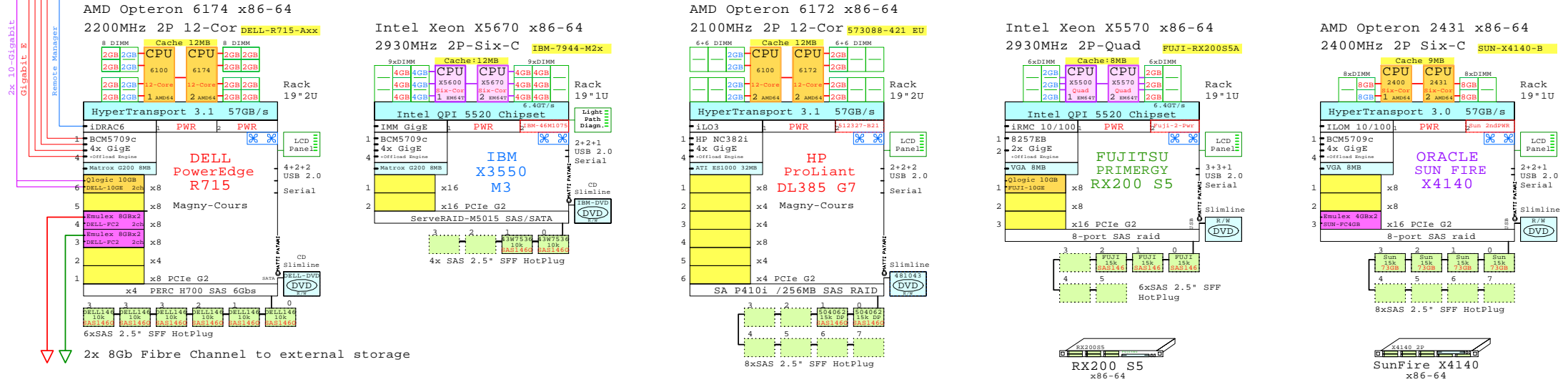
SUN FIRE X4170 M2 Intel Six-Core 5600 2P/1U

SUN X4170 M2 2P/1U x5680 3330MHz
GOLDEN EGGS Visuals, Helsinki

Welcome to Golden Eggs Visual Configurations

<http://www.goldeneggs.fi>

This picture is a comparison chart for: DELL, IBM, HP, FUJITSU and SUN 2-socket x86-64 servers.
 A picture is worth of one thousand words. It talks all Global languages.



Golden Eggs history:

It all started late 80's when I was a local Sales technical support at Digital Equipment Corporation Helsinki office. I did have numerous configuration diagrams in my personal paper notebook. This booklet was my daily hand tool to quickly sort out complicated HW configuration. This booklet was photo copied numerous times for our Sales personal, Partners and End-Customers. Then came splendid VAXstations and AutoCAD software available. I pushed the picture arsenal through the screen and the material was distributed in PostScript files in DECnet. The work was available in printable files in all DEC locations. When Internet was invented, Golden Eggs found its delivery to all Customers who needed simple, technical guide books.

Old Golden Eggs outlets are still available at:

- ➔ <http://h18000.www1.hp.com/info/GECPQA/> DEC/Compaq: VAX, Alpha, Storage and ProLiant servers
- ➔ <http://www.openvms.org/pages.php?page=GoldenEggs> OpenVMS.org: Alpha, Storage, ProLiant and Integrity servers
- ➔ This is the present x86 server Golden Eggs Hatchery.
- ➔ <http://www.goldeneggs.fi>

Why ?? Golden Eggs ??

I think that a good service must have a good name. These pictures are real Golden Pieces for system builders.

I wish you nice reading and good x86 system planning sessions.
 Matti.Patari@Kolumbus.Fi Helsinki, Finland

Your comments, improvements, etc are always welcome.

© 2010 Matti Patari, All rights reserved.

GOLDEN EGGS Visuals™ Helsinki	03-Jul-2010	GE-Welcomel Matti.Patari@Kolumbus.Fi
-------------------------------	-------------	---

Welcome to Visual Configurations
 GOLDEN EGGS Visuals, Helsinki

First rev 18-Apr-2010